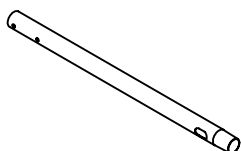


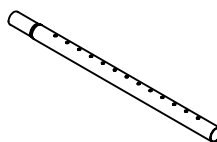
BASE PLATE(×1)

(A)



TUBE (×1)

(B)



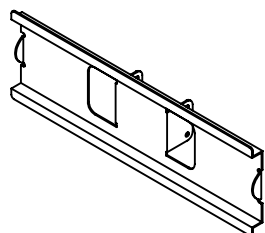
EXTENSION TUBE (×1)

(C)



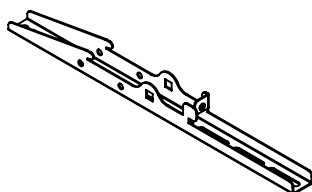
JOINT(×1)

(D)



MATCHED PLATE(×1)

(E)



TV MOUNTING ARM(×2)

(F)



PLASTIC COVER (×1)

(G)



SCREW CAP
5/16"×L3/4"+
2 WASHERS(×4)

(1)



SCREW 1/4"
-20UNC×L1/2
(×4)

(2)



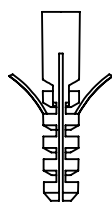
SCREW CSK
3/8"-16UNC
*L1 1/2"(×1)

(3)



1/4 SALAD
HEAD WOOD
SCREW L2"
(×4)

(4)



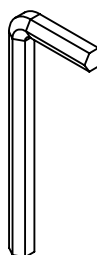
Gecko SETS
φ10×L50
(×4)

(5)



1/4 ROUND HEAD
SCREW L1 1/4 INCH
(×2)

(6)



ALLEN WRENCH
NO.6(×1)

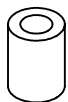
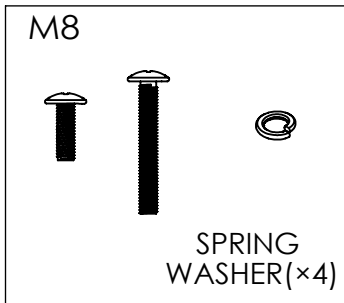
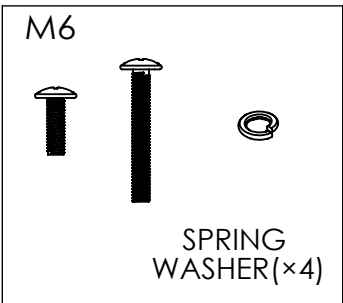
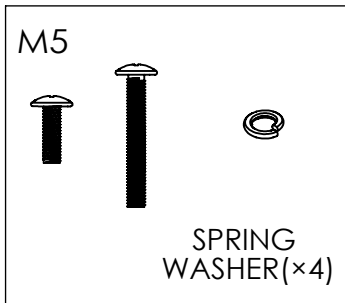
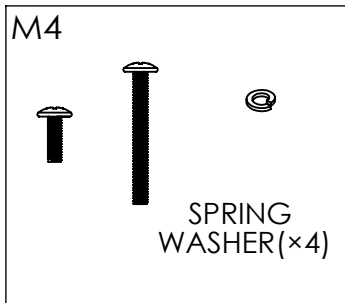
(7)



RUBBER
φ25 x T=3(X4)

(8)

FOR TV



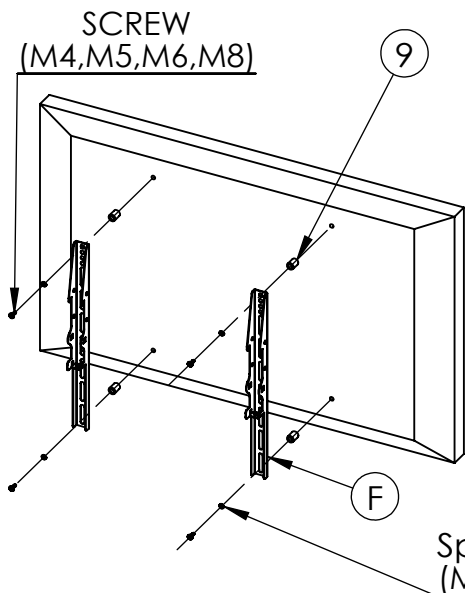
SLEEVE
 $\phi 8.5^* \phi 15^* L20(x4)$



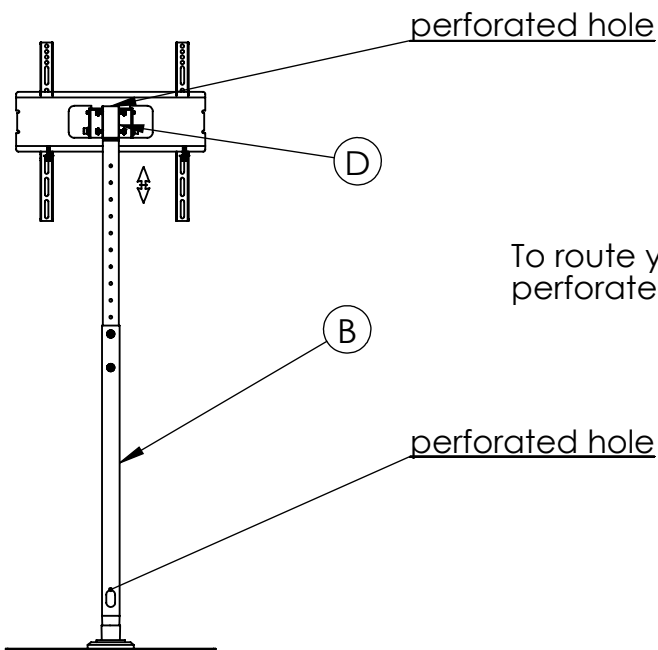
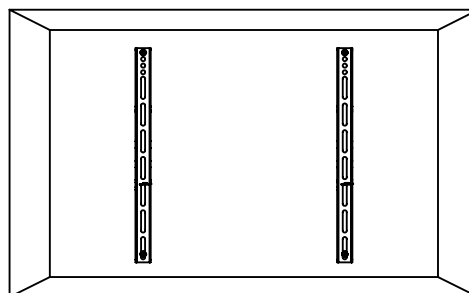
WASHER $\phi 6^* \phi 18^*$
 FOR PDP(x4)



WASHER $\phi 8^* \phi 18^*$
 FOR PDP(x4)

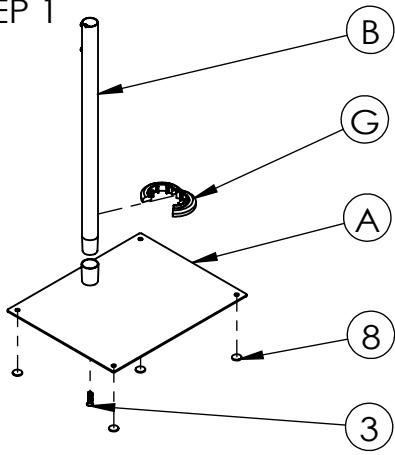


To install TV mounting arm (F) on the back of TV: Locate mounting screw fixtures on the back of TV and attached TV mounting arm (F) with screws (M4, M5, M6, M8). Select the correct size of screws (M4, M5, M6, M8) that match to your TV's mounting screw holes to fix TV mounting arm (F).



To route your cable from top of joint (D) to perforated hole on tube (B).

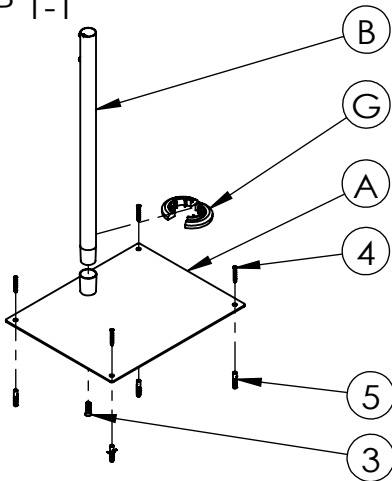
STEP 1



Attach tube (B) to the base (A) and put the plastic cover (G) on tube.

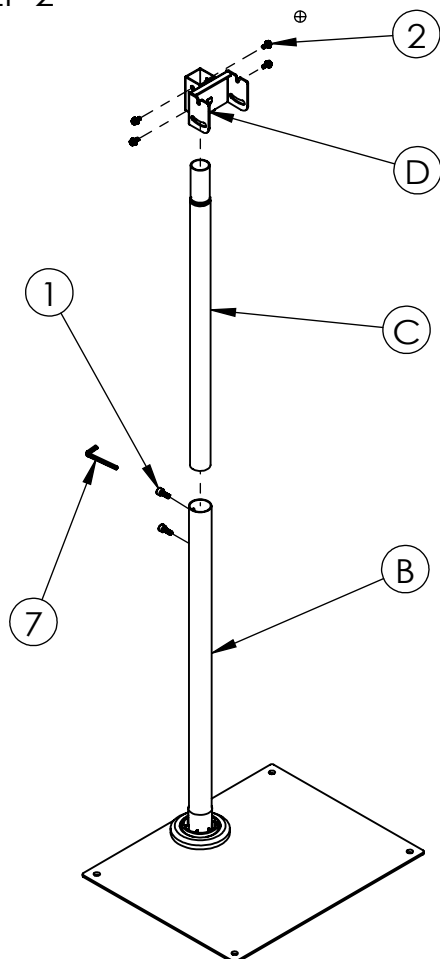
- Placed base on floor
- Use the rubber (8) on the back of base.

STEP 1-1



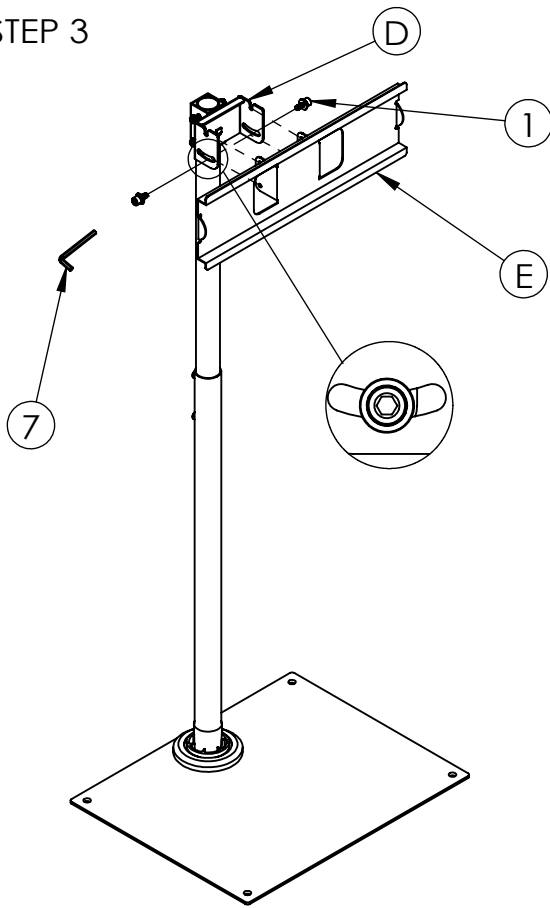
- Bolted base on floor
- Use screw (4) & (5) to fix base on floor.

STEP 2



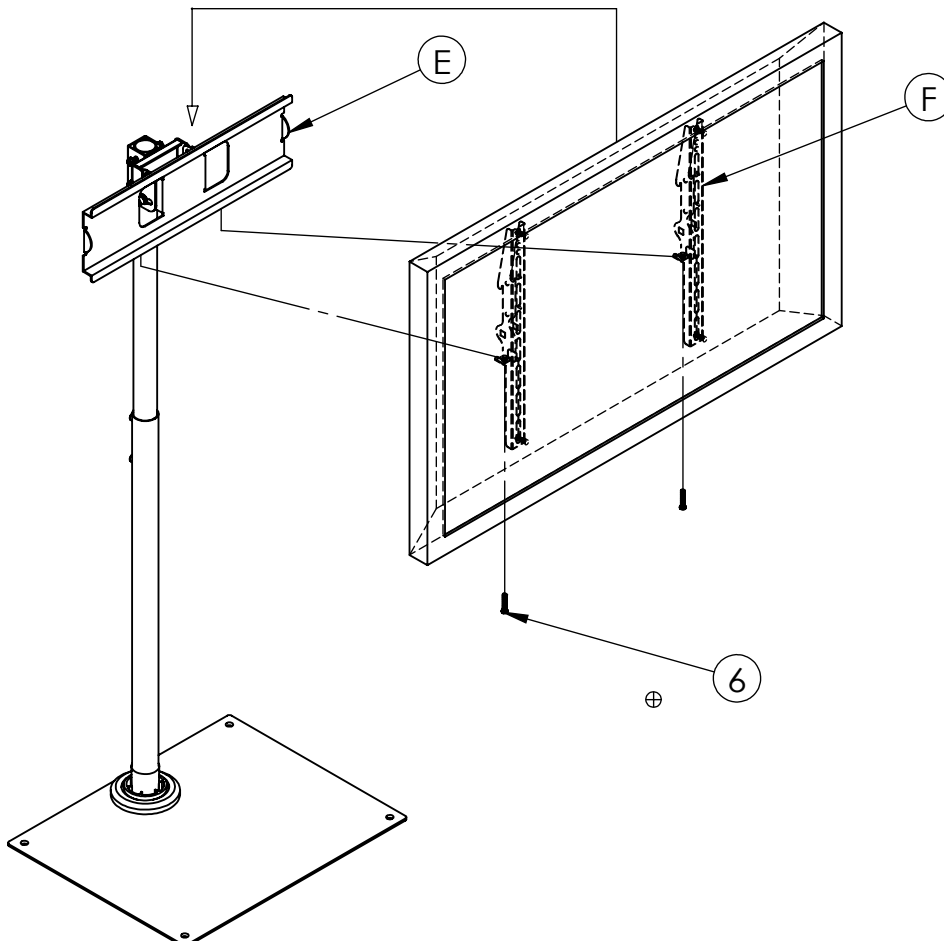
Insert the extension tube (C) into the tube (B) and adjust the height of the tube with screw (1) by Allen key (7). Fix the joint (D) on to the top of tube (C) with screw (2).

STEP 3



Hang the TV matched plate (E) onto the joint (D), fix and adjust the tilting angles with screw (1) by Allen key (7).

STEP 4



Once the TV mounting arm (F) are firmly attached to the TV, hook the TV mounting arm (F) onto matched Plate (E) and secure into place using screw (6).