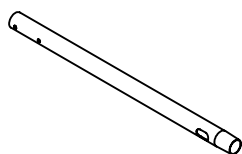


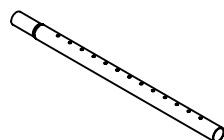
BASE PLATE(×1)

(A)



TUBE (×1)

(B)



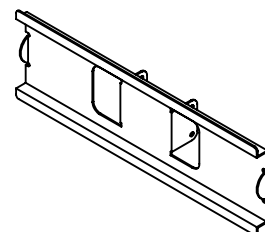
EXTENSION TUBE (×1)

(C)



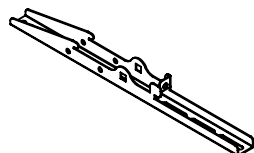
JOINT(×1)

(D)



TV MOUNTING
PLATE(×1)

(E)



TV MOUNTING
ARM(×2)

(F)



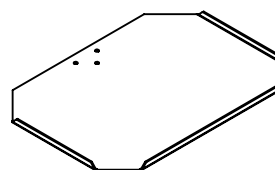
PLASTIC COVER (×1)

(G)



SUPPORT
FRAME(×1)

(H)



STEEL PLATE
(×1)

(I)



STEEL
FIXED PIECE(×1)

(J)



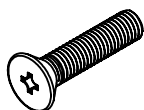
SCREW CAP
5/16"×L3/4"+
2 WASHERS(×4)

(1)



SCREW 1/4"
-20UNC×L1/2
(×4)

(2)



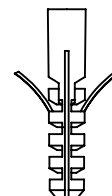
SCREW CSK
3/8"-16UNC
*L1 1/2"(×1)

(3)



1/4 SALAD
HEAD WOOD
SCREW L2"
(×4)

(4)



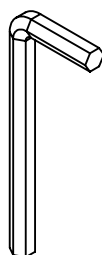
Gecko SETS
φ10×L50
(×4)

(5)



1/4 ROUND HEAD
SCREW L1 1/4 INCH
(×2)

(6)



ALLEN WRENCH
NO.6(×1)

(7)



RUBBER
φ25 × T=3(×4)

(8)



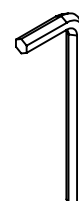
SCREW M5
*P0.8*L15MM
(×3)

(9)



M5 NYLON NUTS
(×3)

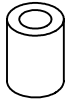
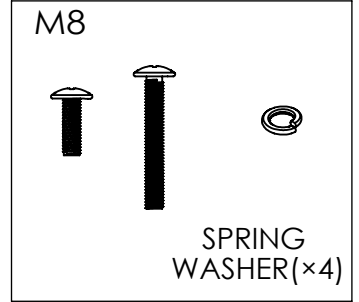
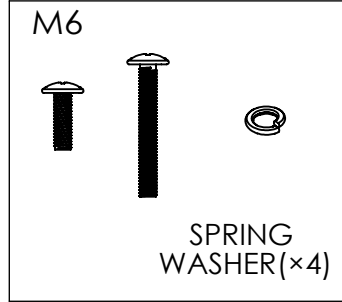
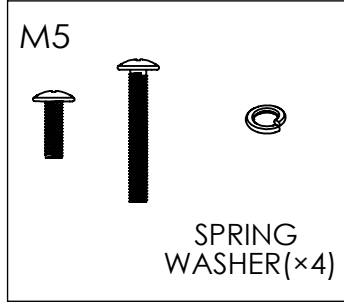
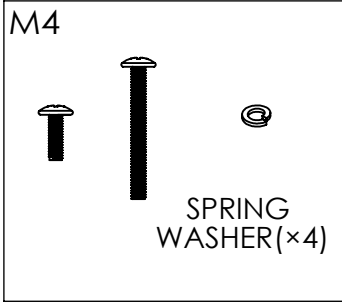
(10)



ALLEN WRENCH
NO.4(×1)

(11)

FOR TV



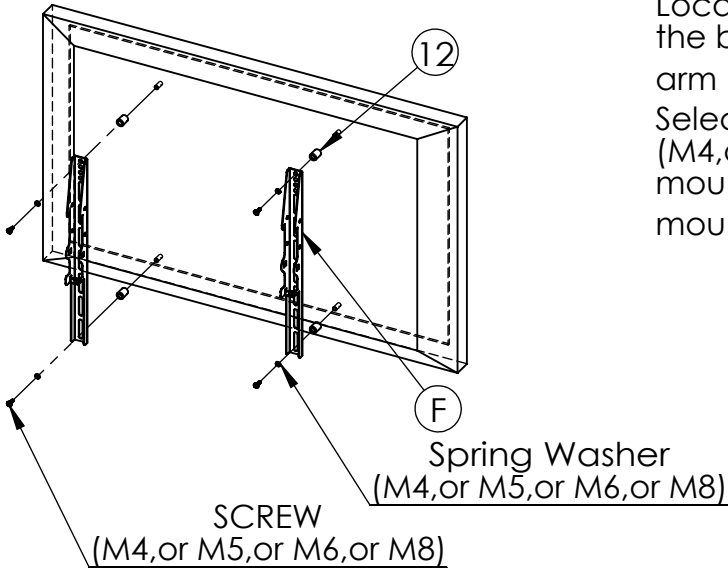
SLEEVE
 $\phi 8.5^* \phi 15^* L20(x4)$



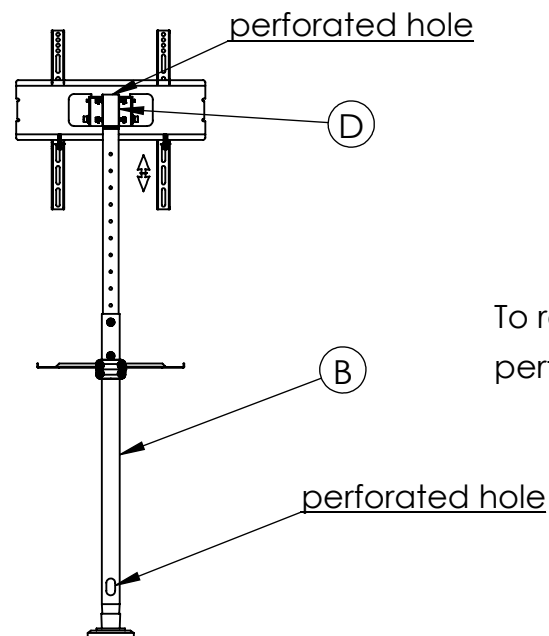
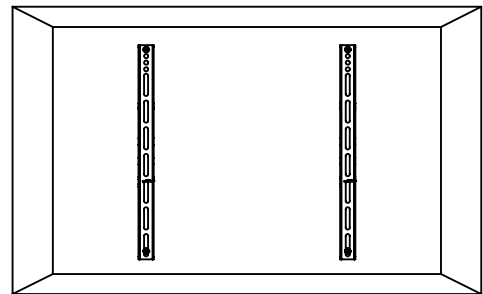
WASHER $\phi 6^* \phi 18^*$
 FOR PDP(x4)



WASHER $\phi 8^* \phi 18^*$
 FOR PDP(x4)

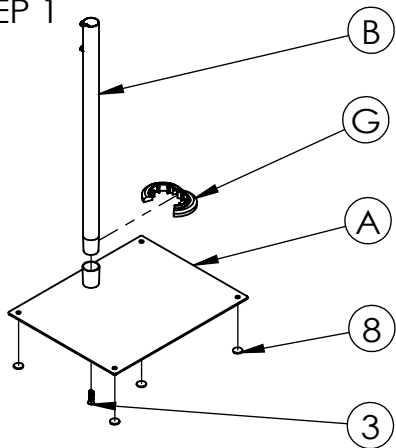


To install TV mounting arm (F) on the back of TV:
 Locate mounting screw fixtures on the back of TV and attached TV mounting arm (F) with screws (M4, or M5, or M6, or M8).
 Select the correct size of screws (M4, or M5, or M6, or M8) that match to your TV's mounting screw holes to fix TV mounting arm (F).



To route your cable from top of joint (D) to perforated hole on tube (B).

STEP 1

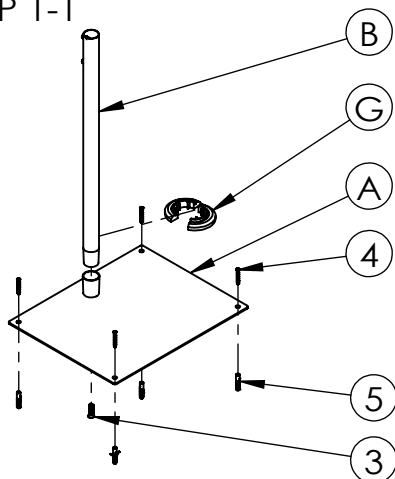


Use screw (3) to attach tube (B) and (A) and put the plastic cover (G) on tube.

- Placed base on floor

Use the rubber (8) on the bottom of base. Bolted base on floor (Optional)

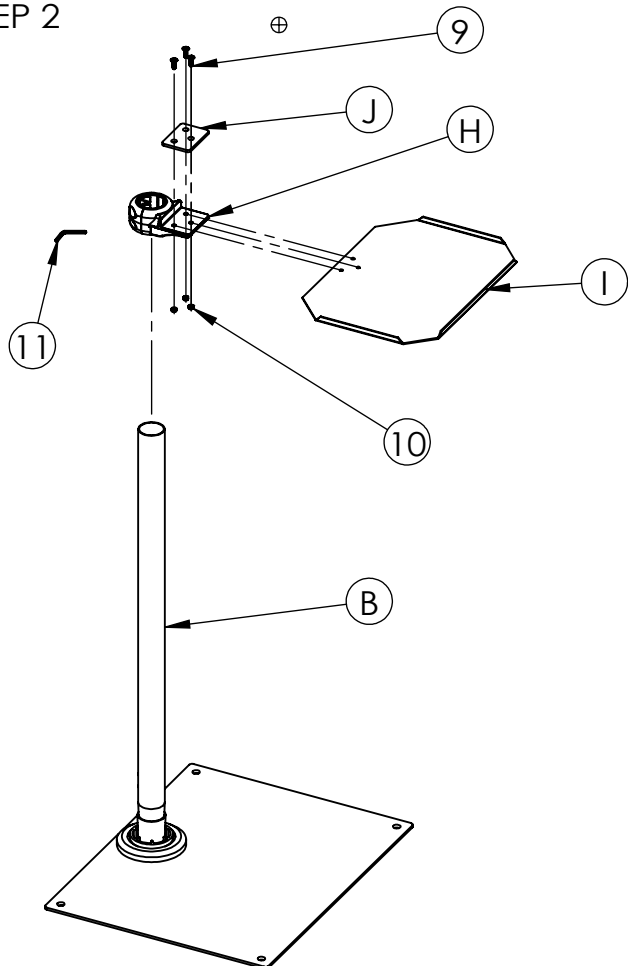
STEP 1-1



- Bolted base on floor

use $\phi 3/8$ " drilled gecko hole on floor insert (5) into gecko hole use (4) to fix (A) on the floor.

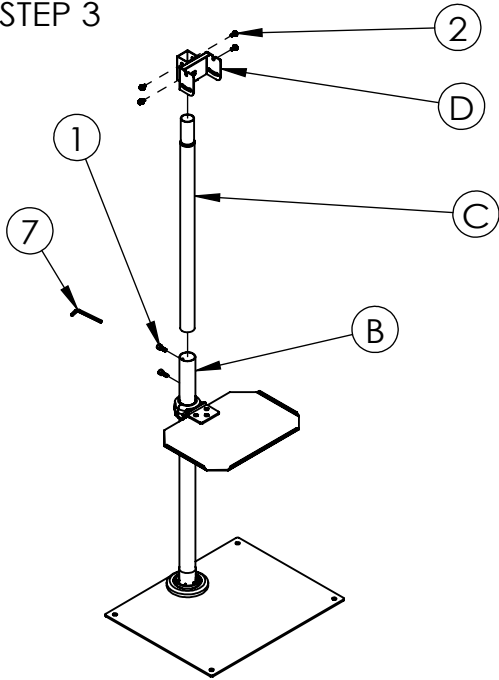
STEP 2



Support frame (H) go through tube (B) and fix in place by using Allen key (11) .

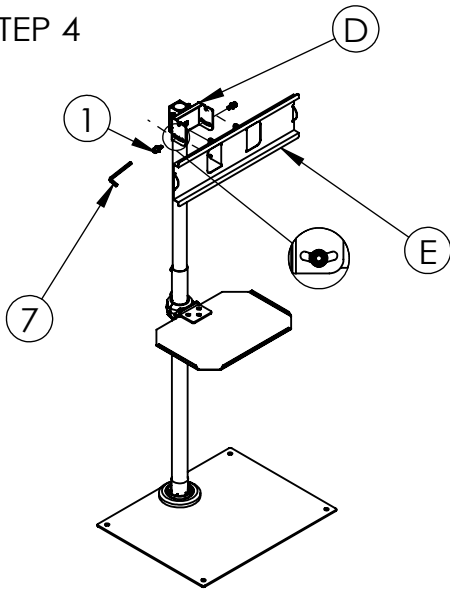
Using screw (9) & (10) to fix fixed piece (J) and steel plate (I) on support frame (H) .

STEP 3



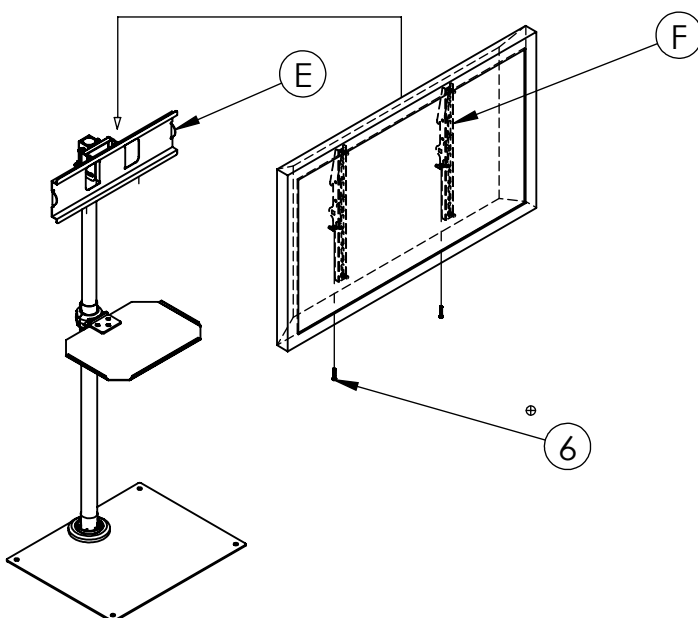
Insert the extension tube (C) into the tube (B) and adjust the height of the tube with screw (1) by Allen key (7). Fix the joint (D) on to the top of tube (C) with screw (2).

STEP 4



Hang the TV mounting plate (E) onto the joint (D), fix and adjust the tilting angles with screw (1) by Allen key (7).

STEP 5



Once the TV mounting arm (F) are firmly attached to the TV, hook the TV mounting arm (F) onto TV mounting plate (E) and secure into place using screw (6).