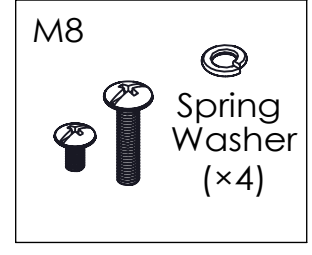
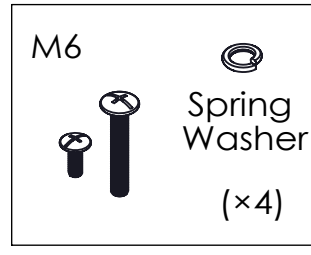
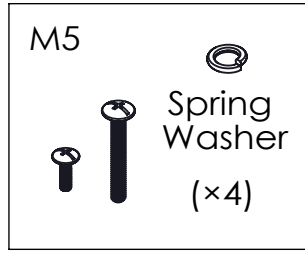
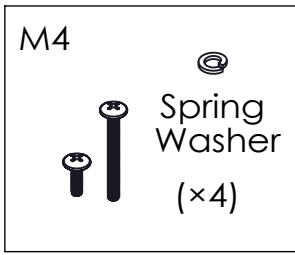


FOR TV



WASHER $\phi 6 * \phi 16 (\times 4)$



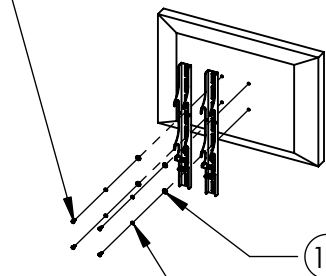
WASHER $\phi 8 * \phi 18 (\times 4)$



SLEEVE
 $\phi 8.5 * \phi 15$
*L20mm(×4)



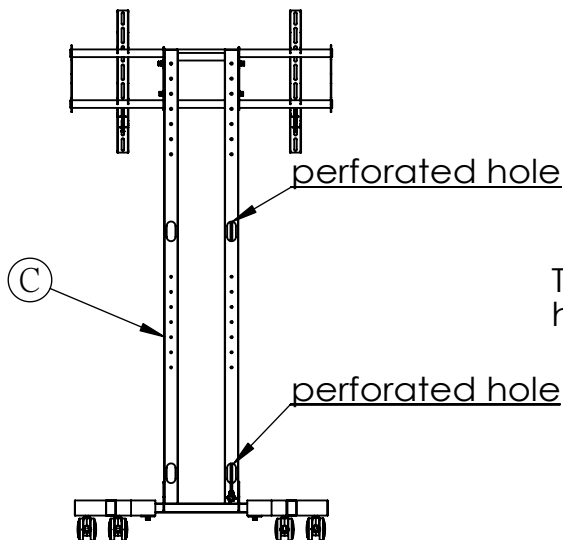
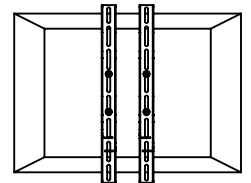
SCREW
(M4,M5,M6,M8)



⑩ or ⑪

Spring Washer
(M4,M5,M6,M8)

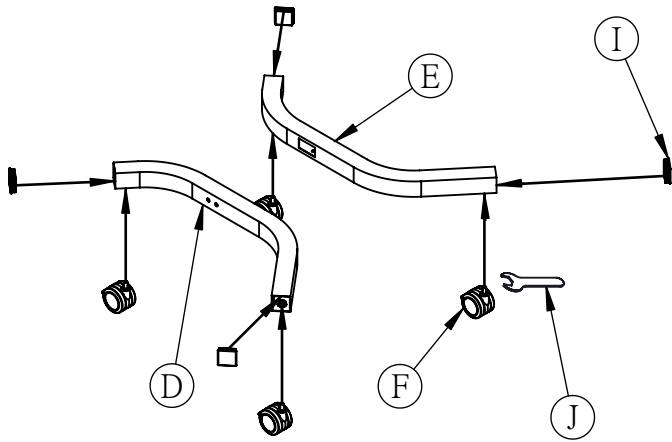
To install Mounting Arms (A) on the back of TV:
Locate mounting screw fixtures on the back of TV and attached mounting arms (A) with screws (M4, M5, M6, M8).
Select the correct size of screws (M4, M5, M6, M8) that match to your TV's mounting screw holes to fix the mounting arm (A).



To route your cable from the perforated hole of Fixed tube (C).

Assembly steps

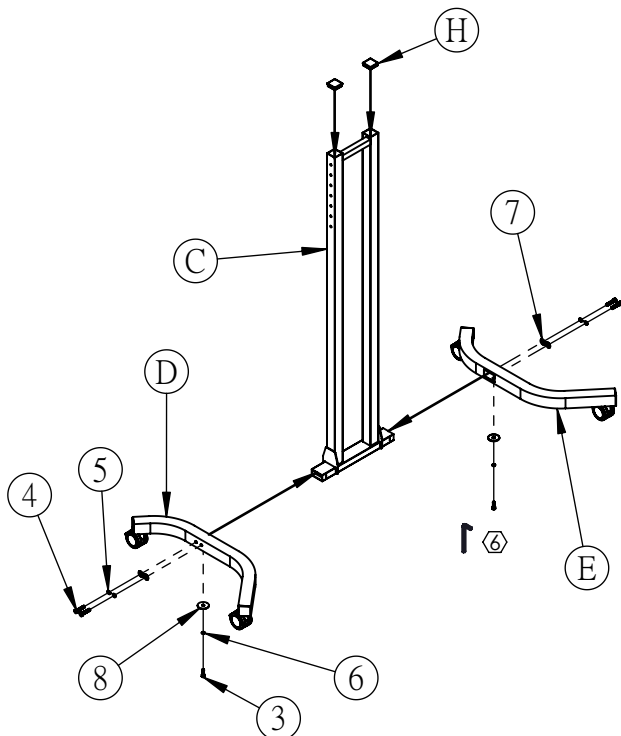
STEP 1



Insert the wheels (F) on left and right bottom tube legs (D, E) as shown in the step 1.

Make sure the wheels install well on legs (D,E) with Allen wrench (J). Put the square plastic cap (I) on the end of tube.

STEP 2

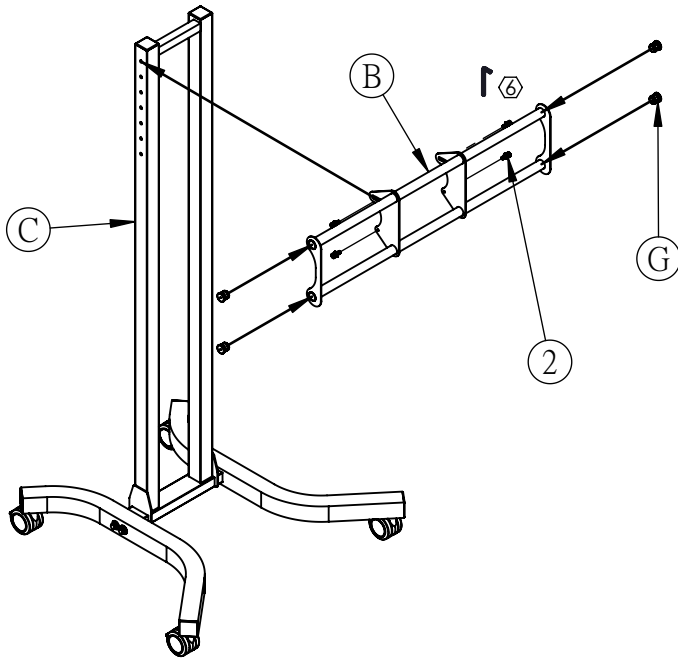


Attache Fixed Tube (C) to the left and right bottom tube legs (D,E).

Put the plastic cap (H) on the top of Fixed tube (C).

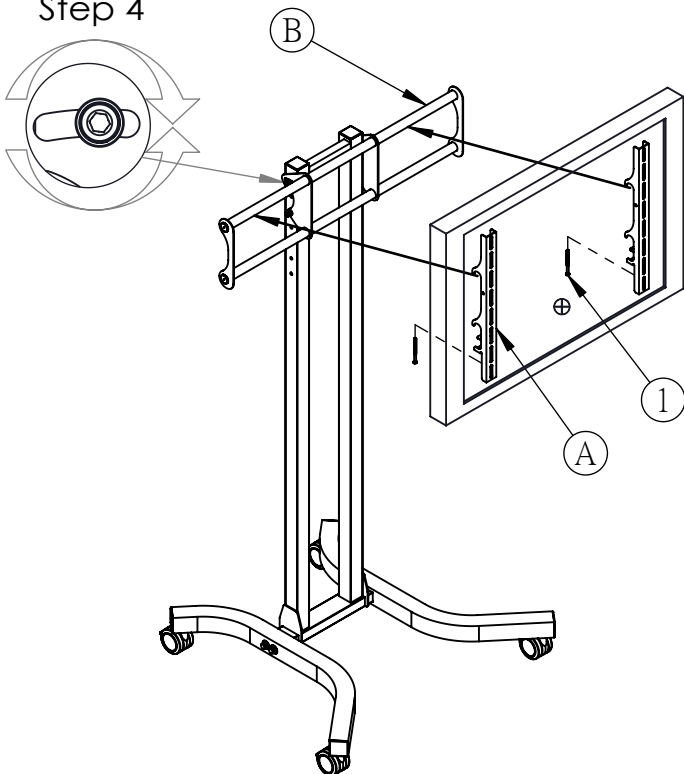
Assembly steps

Step 3



Attach Angle adjustment group (B) on Fixed tube (C) with screw (2). Put on circle plastic cap (G) on the end of Angle adjustment group (B).

Step 4



Make sure to fix Mounting arm (A) on to the Angle adjustment group (B) by screw (1).