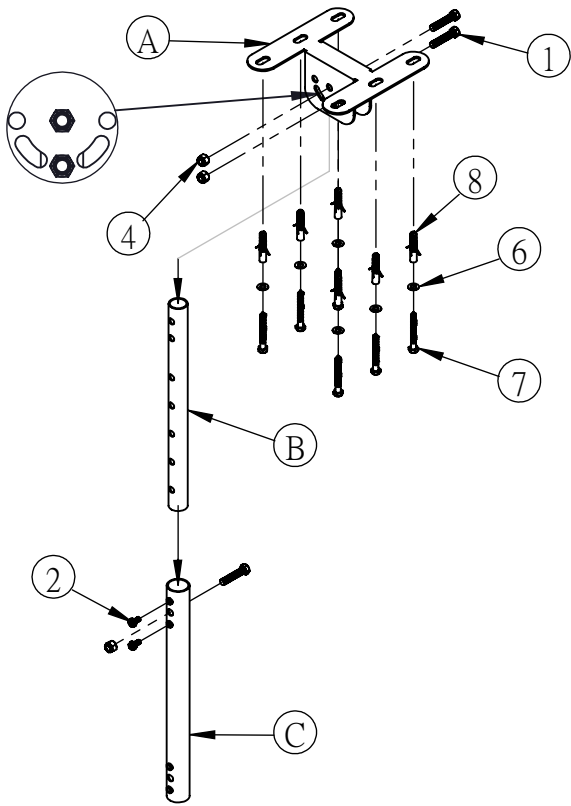


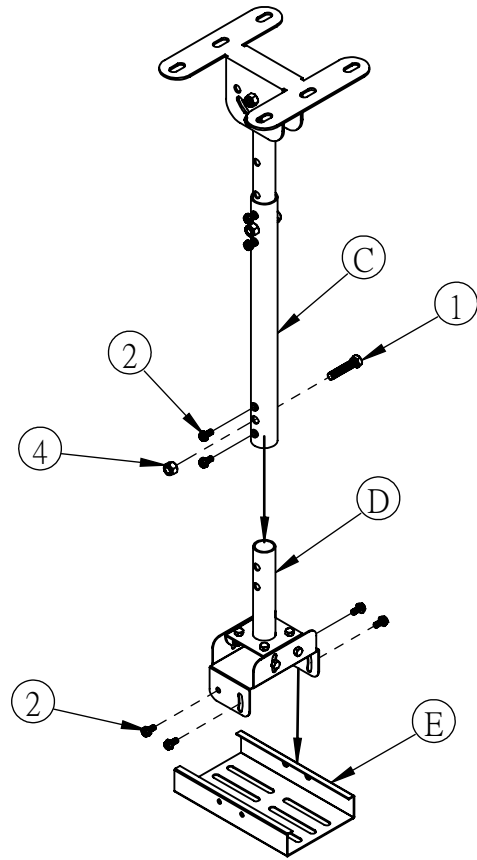
Assembly steps

STEP 1



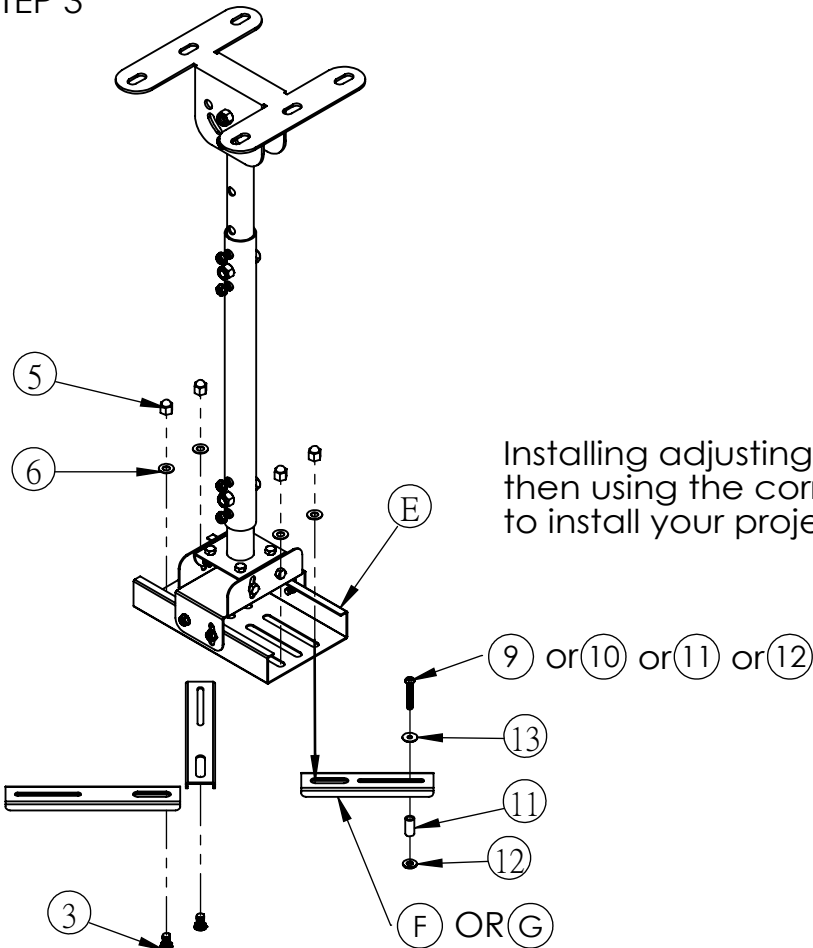
Install wall bracket (A) to ceiling with anchors (8), washers (6) and screw (7). Attach inner tube (B) to wall bracket (A), then insert outer tube (C) into inner tube (B). Adjusted the height of tube with screw (2).

STEP 2



Attach the joint (D) to outer tube (C), meanwhile, install the adapt plate (E) to the joint (D).

STEP 3



Installing adjusting plate (F or G) on the adapt plate (E), then using the correct size of screw (7 or 8 or 9 or 10) to install your projector.