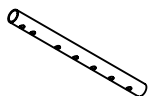




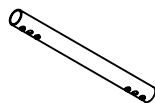
WALL BRACKET (×1)

Ⓐ



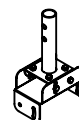
INNER TUBE (×1)

Ⓑ



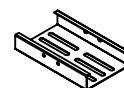
OUTER TUBE (×1)

Ⓒ



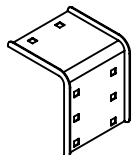
JOINT (×1)

Ⓓ



ADAPT PLATE (×1)

Ⓔ



EXTENSION BAR (×2)

Ⓕ



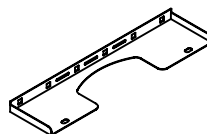
EXTENSION PLATE (×2)

Ⓖ



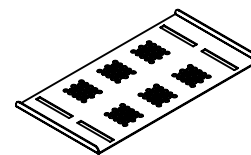
PROJECTOR HOLDER (×2)

Ⓗ



PLATFORM (×2)

Ⓘ



PLATFORM BASE (×1)

Ⓙ



BH SCREW 3/8"×L44 (×4)

①



SCREW 1/4"×L1/2" (×8)

②



SCREW 5/16"×L1/2" (×18)

③



NYLON NUT 3/8" (×4)

④



NUT 5/16" (×18)

⑤

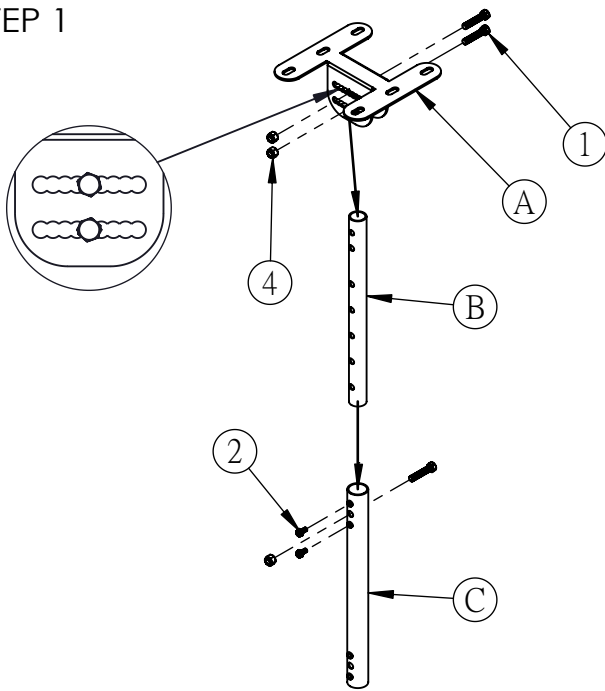


WASHER ϕ 5/16" (×18)

⑥

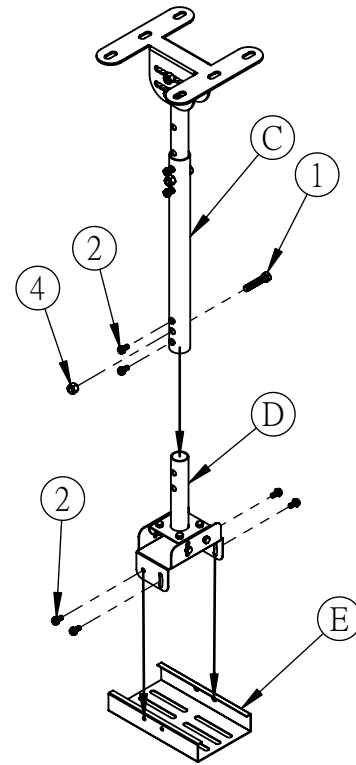
Assembly steps

STEP 1



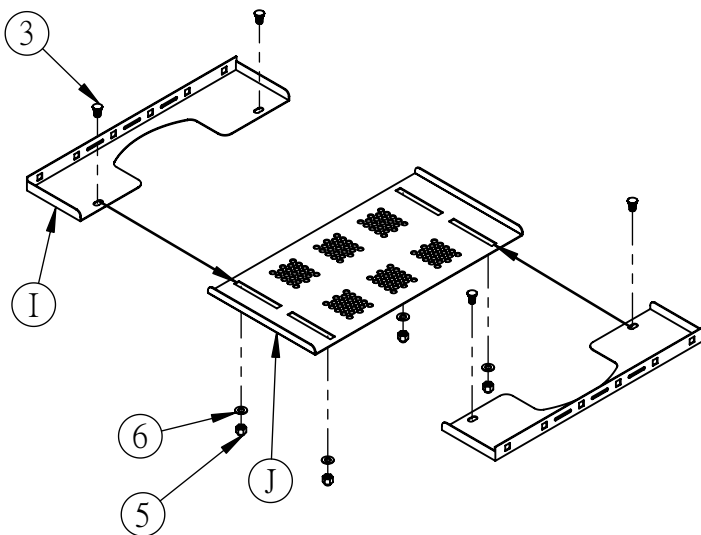
Attach inner tube(B) to wall bracket(A), then insert outer tube(C) into inner tube(B). Adjusted the height of tube with screw(2).

STEP 2



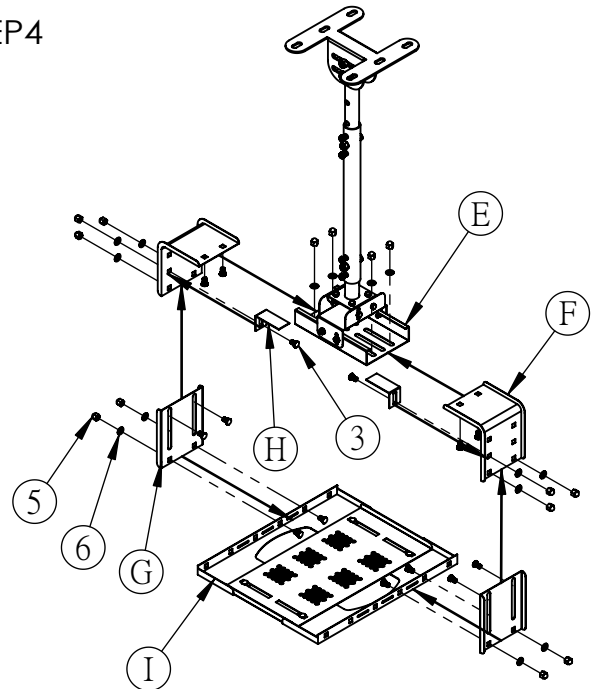
Attach the joint(D) to outer tube(C), meanwhile, install the adapt plate(E) to the joint(D).

STEP 3



Assembling the platform(I) from both sides of platform base(J).

STEP 4



Putting the extension plate(G) on both sides of platform(I). Install the projector holder(H) onto the extension bar(F), after that, putting extension bar(F) onto the adapt plate(E). In the last, installing extension plate(G) onto the extension bar(F).