

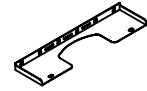
WALL BRACKET(×1)
Ⓐ



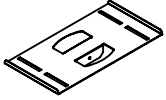
PLASTIC COVER(×1)
Ⓑ



SWIVEL BRACKET(×1)
Ⓒ



PLATFORM(×2)
Ⓓ



PLATFORM BASE(×1)
Ⓔ



SAFETY BELT(×1)
Ⓕ



PLASTIC CAP(×1)
Ⓖ



PLUG $\varnothing 5/16"$ (×1)
Ⓖ



ADJUSTING SCREW
1/4"*L63mm(×1)
①



SCREW BH
1/4"*L2 1/2"(×1)
②



SCREW
5/16"*L1/2"(×4)
③



NYLON NUT
5/16"(×1)
④



NYLON NUT
1/4"(×1)
⑤



NUT 5/16"(×4)
⑥



WASHER
 $\varnothing 8 * \varnothing 18$ (×5)
⑦



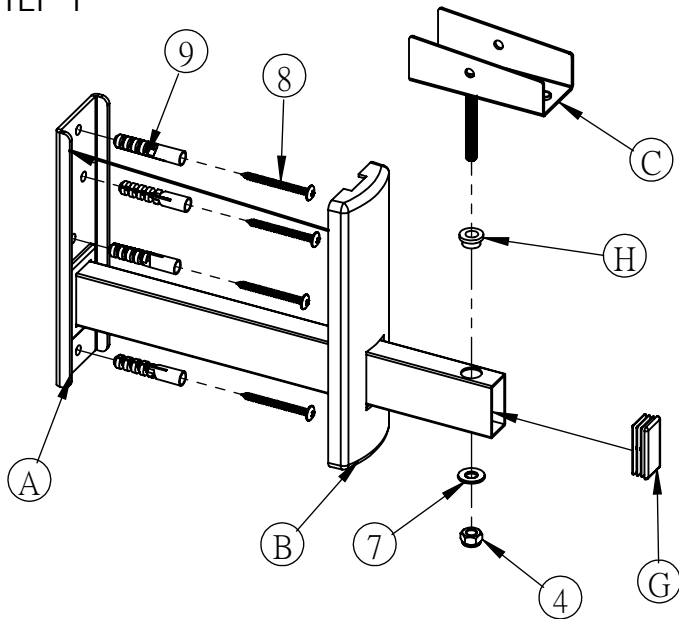
WALL SCREW
 $\varnothing 3/16" * L2"$ (×4)
⑧



WALL EALL ANCHORS
 $\varnothing 8 * L40$ (×4)
⑨

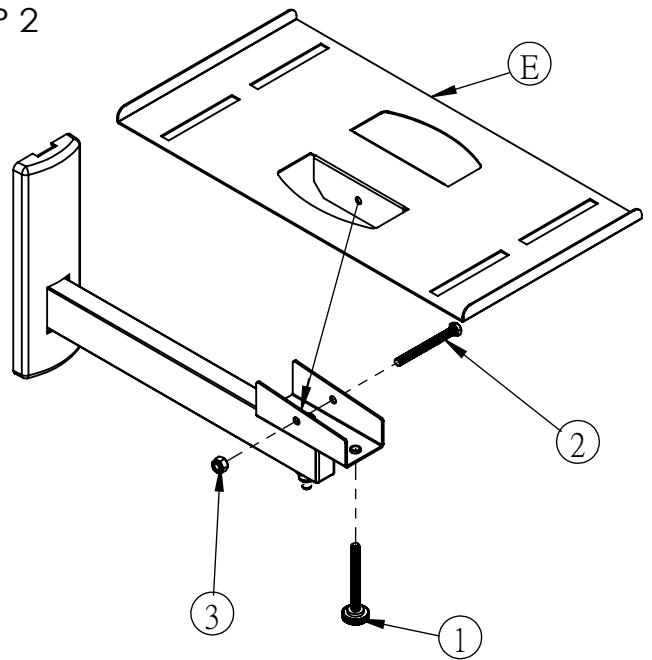
Assembly steps

STEP 1



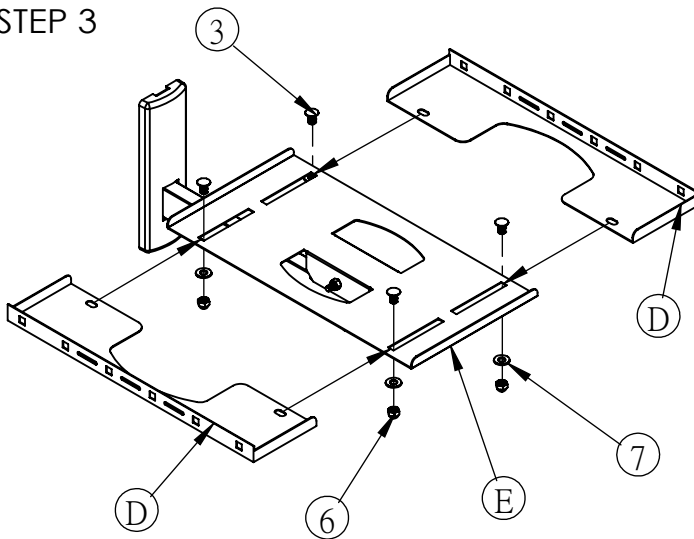
Installing wall bracket(A) on wall with wall anchors (9) and screw (8), then put the plastic cover(B) through wall bracket(A). Put the swivel bracket(C) on the top of wall bracket(A) for swivel function and then put the plastic cap(G) in the end of wall bracket(A) tube.

STEP 2



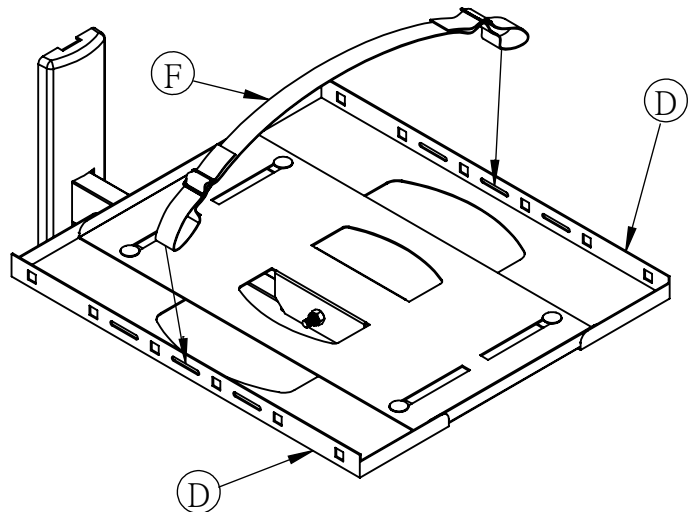
Install platform base(E) on the top of swivel bracket(C).

STEP 3



Put the platform(D) from both sides of platform base(E).

STEP 4



Install the safety belt(F) on top of platform to protect the projector.