

WALL PLATE AND TUBE(×1)

(A)



WALL PLATE PLASTIC COVER(×1)

(B)



SLIDING TUBE(×1)

(C)



PLATFORM BASE(×1)

(D)



PLATFORM BASE PLASTIC COVER(×1)

(E)



PLASTIC CAP
∅ 45(×1)

(F)



EXTENSION ARM
140mm(×4)

(G)



EXTENSION ARM
185mm(×3)

(H)



BRAKE SCREW
3/8"×L1/2"(×1)

(1)



SCREW
5/16"×L14mm(×4)

(2)



NUT
5/16(×4)

(3)



WASHER
∅ 1/4"×∅ 19(×1)

(4)



WASHER
∅ 8×∅ 18(×8)

(5)



SPRING WASHER
∅ 5/16(×4)

(6)



SPRING WASHER
∅ 1/4"(×1)

(7)



WALL ANCHORS(×4)

(8)



WALL SCREW
∅ 5/16"×L2 1/2"(×4)

(9)



BH SCREW
1/4"×L1 1/2"(×1)

(10)



ALLEN WRENCH
NO.4(×1)

(11)



ALLEN WRENCH
NO.5(×1)

(12)

FOR PROJECTOR



SCREW
M3×L=38mm(×4)

(13)



SCREW
M4×L=35mm(×4)

(14)



SCREW
M5×L=35mm(×4)

(15)



SCREW
M6×L=35mm(×4)

(16)



ALUMINUM PIPE
∅ 9.5×L20mm(×4)

(17)



PLASTIC WASHER (×4)

(18)

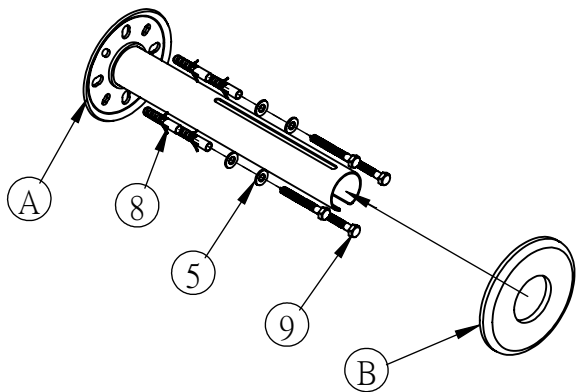


WASHER
∅ 5×∅ 5/8" (×4)

(19)

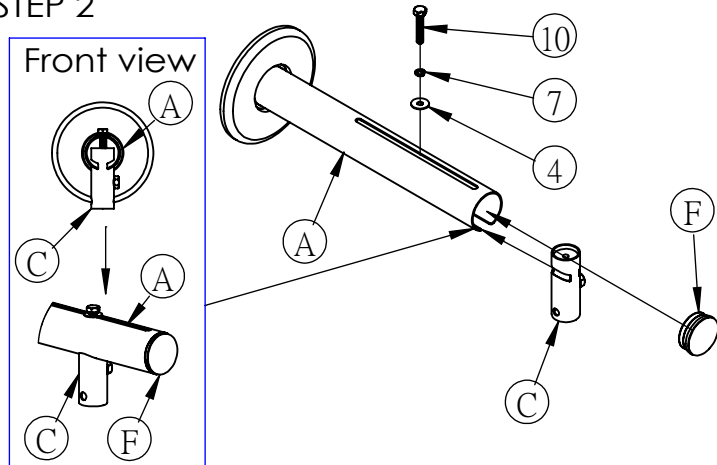
Assembly steps

STEP 1



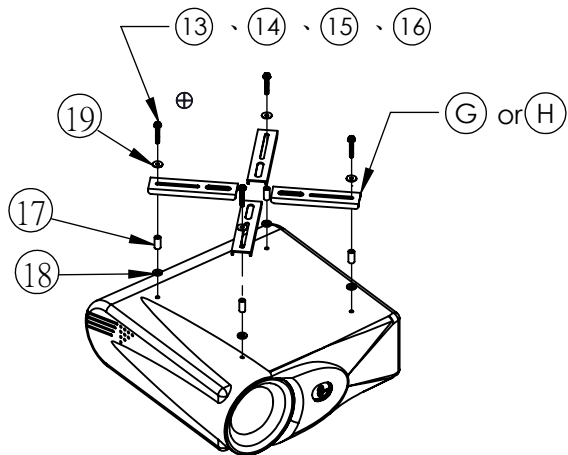
Install the wall plate and tube (A) on wall with Anchors(8), washers(5) and screw(9). Put on wall plate plastic cover (B) after install wall plate and tube (A) on wall.

STEP 2



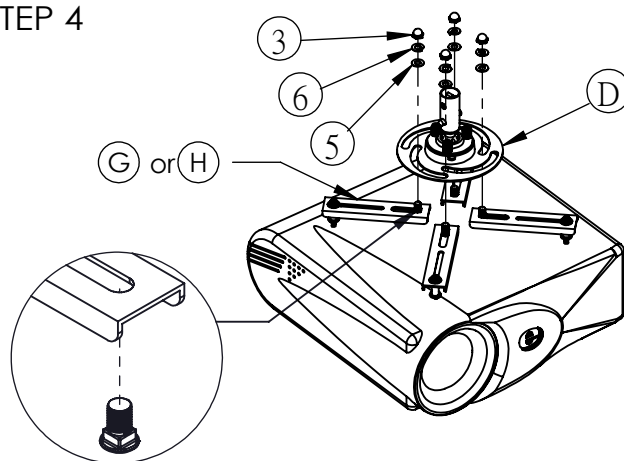
Insert the sliding tube (C) into the opening of wall plate and tube (A). You could adjust the position of the part (C) along the tube (A) as needed. Put the plastic cap (F) in the end of wall plate tube.

STEP 3



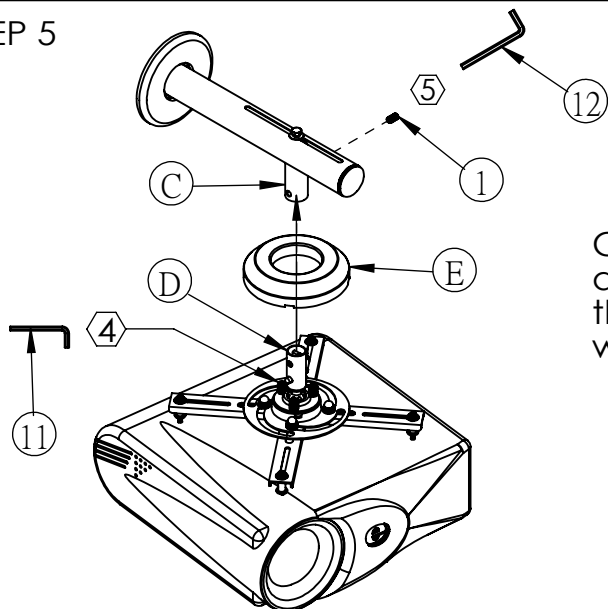
Installing the extension arm (G or H) with correct size of screw (13, 14, 15, 16) on the projector.

STEP 4



Attach extension arm (G or H) to platform base (D).

STEP 5



Cover the platform base(D) with its cover (E) as shown in the picture, then connect the D and C together with brake screw 1.