






















WALL PLATE L=1000mm(×1) <b>(A)</b>	EXTENSION TUBE L=860mm(×1) <b>(B)</b>	PLASTIC COVER (×1) <b>(C)</b>	PLATFORM BASE(×1) <b>(D)</b>
			
ADJUSTING PLATE 185mm(×3) <b>(E)</b>	ADJUSTING PLATE 140mm(×4) <b>(F)</b>	PLASTIC CAP ∅38(×1) <b>(G)</b>	

				
BRAKE SCREW 3/8"*L1/2"(×1) <b>(1)</b>	SCREW 5/16"*L14mm(×4) <b>(2)</b>	SCREW CAP 5/16"*L3/4" WITH 2 WASHERS(×2) <b>(3)</b>	NUT 5/16"(×4) <b>(4)</b>	WASHER ∅5/16"(×4) <b>(5)</b>
				
SPRING WASHER ∅5/16"(×4) <b>(6)</b>	WASHERS ∅8*∅18(×10) <b>(7)</b>	WALL ANCHORS(×6) <b>(8)</b>	WALL SCREW ∅5/16"*L2 1/2"(×6) <b>(9)</b>	
				
ALLEN WRENCH NO.4(×1) <b>(10)</b>	ALLEN WRENCH NO.5(×1) <b>(11)</b>	ALLEN WRENCH NO.6(×1) <b>(12)</b>		

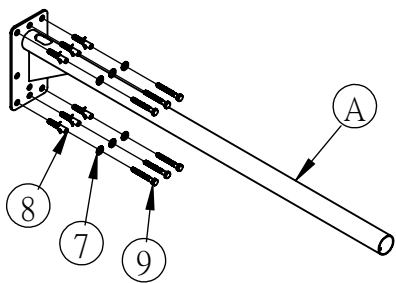
FOR PROJECETOR

			
SCREW M3*L=38mm(×4) <b>(13)</b>	SCREW M4*L=35mm(×4) <b>(14)</b>	SCREW M5*L=35mm(×4) <b>(15)</b>	SCREW M6*L=35mm(×4) <b>(16)</b>
			
ALUMINUM PIPE ∅9.5*L=20mm(×4) <b>(17)</b>	PLASTIC WASHER(×4) <b>(18)</b>	WASHER ∅5*∅5/8"(×4) <b>(19)</b>	

Elitech International USA  
www.elitechusa.com

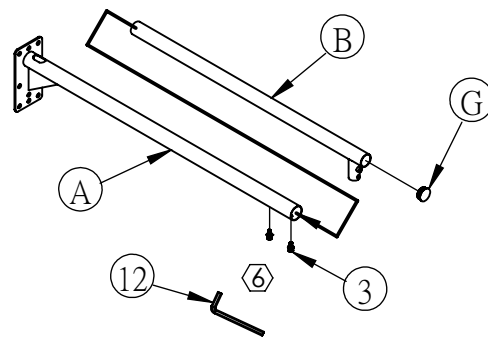
# Assembly steps

## STEP 1



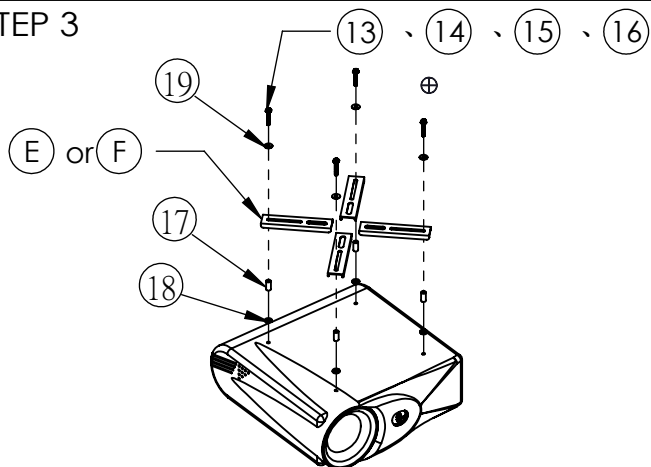
Installing wall plate (A) to wall with Anchors (8), washers (7) and wall screw (9).

## STEP 2



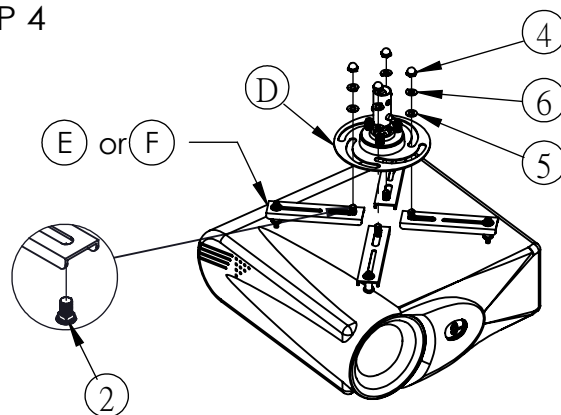
Put the extension tube (B) to wall plate tube (A). Adjusting the distance you needed, then tight with screw cap (3).

## STEP 3



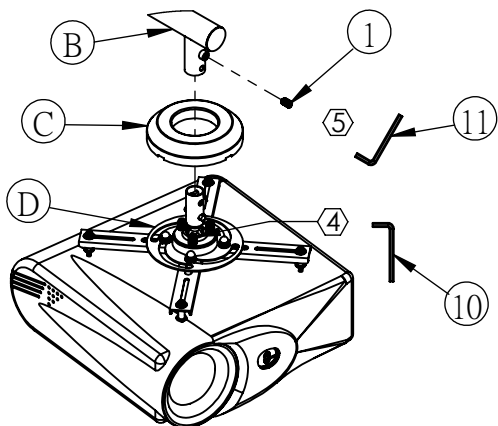
To install adjusting plate (E or F) with correct size of screw (13, 14, 15, 16) on the projector.

## STEP 4



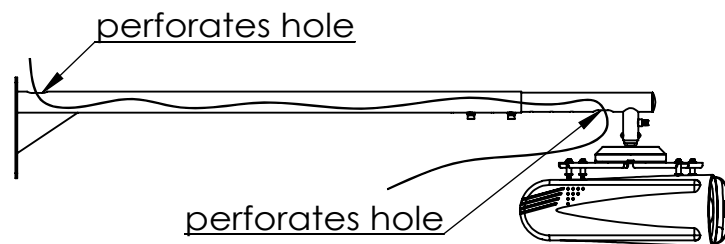
Installing platform base (D) on the adjusting plate (E or F). The screw (2) should face up and go through platform base (D).

## STEP 5



Put the plastic cover (C) on the top of platform base (D). Then install the platform base (D) onto extension tube (B) with brake screw.

## STEP 6



To route your cables from perforates holes on tube.