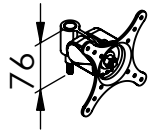


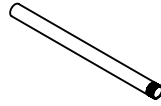
FOLD ARM(×1)

(A)



LCD MOUNT  
76mm(×2)

(B)



TUBE  
L=400mm(×1)

(C)



BASE(×1)

(D)



CABLE CLIP(×1)

(E)



SPRING WASHER  
Ø 5/16"(×2)

(1)



WASHER  
Ø 8\* Ø 13(×2)

(2)



NYLON NUT  
5/16"(×2)

(3)



WASHER  
Ø 12.5\* Ø 25\*T=3(×2)

(4)



BRAKE SCREW  
M6\*P1.0\*L6mm(×2)

(5)



ALLEN WRENCH  
NO.3(×1)

(6)



ALLEN WRENCH  
NO.4(×1)

(7)



WRENCH  
NO.13(×1)

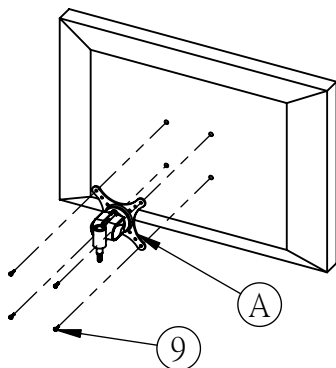
(8)

FOR LCD monitor

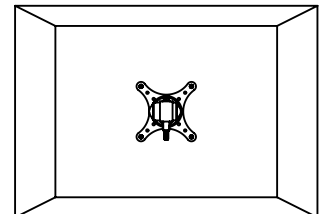


SCREW  
M4\*P0.7\*L12mm  
(×8)

(9)

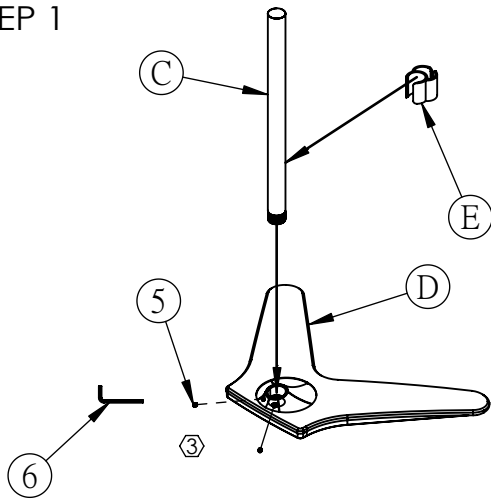


To install LCD Mount(B) in the back of monitor:  
Locate mounting screw fixtures on the back  
of monitor and attached LCD mount(B) with screw(9).  
Make sure the screw(9) match to  
your monitor hole to fix the LCD Mount(B).



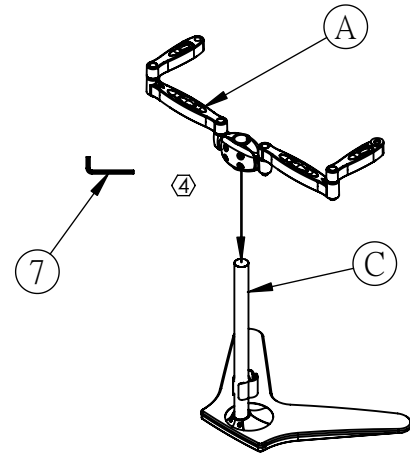
Assembly step

STEP 1



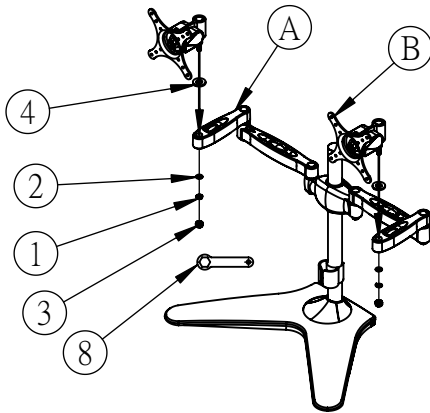
Installing Tube(C) on the base(D) and then put on the Cable clip(E) on the tube for cable management. Fixed the brake screw(5) with Allen wrench(6) to avoid rotation of the tube.

STEP 2



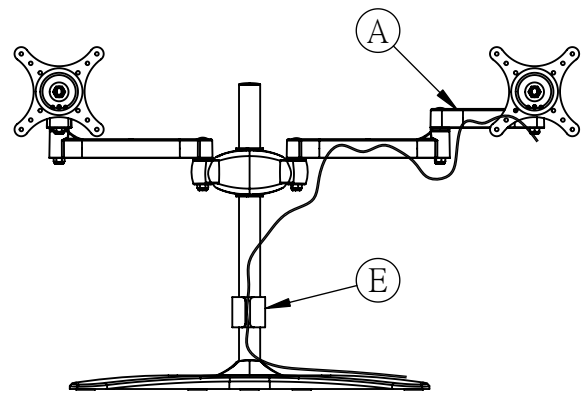
Put the Fold arm(A) through the Tube(C). To adjust the height of Fold arm(A) with Allen wrench(7).

STEP 3



Installing LCD Mount(B) to Fold arm(A).

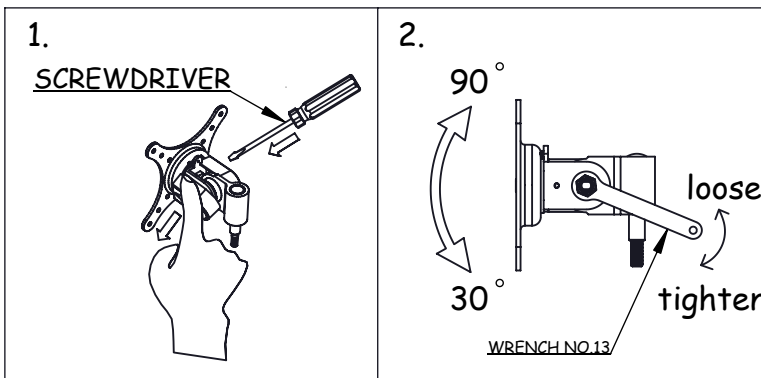
STEP 4



To route your cable from the cable case which inside of the Fold arm(A) and the cable clip(E) for a tidy look.

Why my monitors keep flopping?

Answer: Please follow steps below to set the tilting angle



1. Locate the two caps which are on each side of the axis of the monitor bracket.
2. Use a flat-blade screwdriver to push open the caps.
3. Loosen the nut adjust the tilting angle then tighten the nut again.