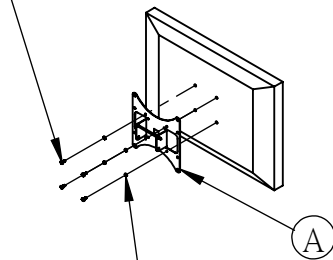
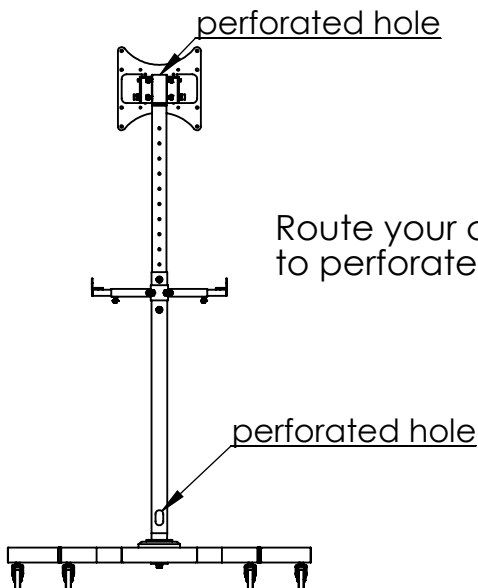
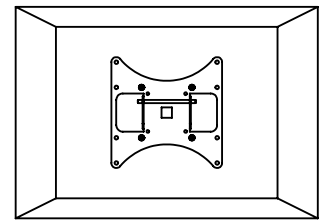


SCREW  
(M4 or M5 or M6)



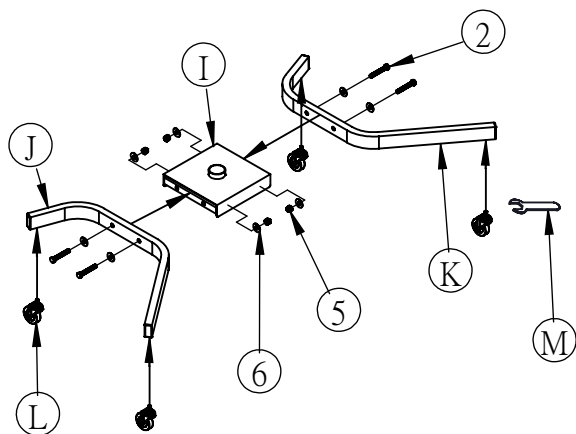
To install the TV mounting plate (A) on the back of TV:  
 Locate the mounting screw holes on the back of the TV and  
 attached the TV mounting plate (A) with screws M4 or M5 or M6  
 which best fit your TV's mounting holes

Spring Washer  
(M4 or M5 or M6)



Route your cable from the top of the extension tube (C) to perforated hole on the bottom of the tube (D).

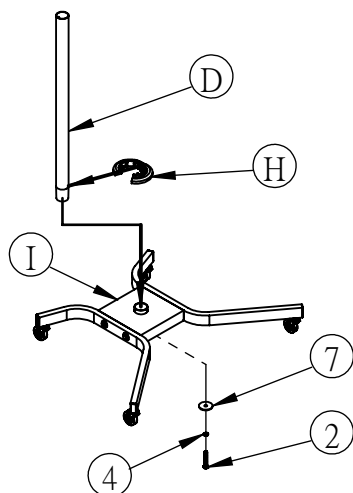
STEP 1 BASE INSTALLATION



Install the wheels (L) on the holes at the left and right bottom tube legs (J, K) as shown in the step 1.  
 Screw left and right bottom tube legs (J, K) on pedestal (I) with screw (2) and nut (5).  
 Since screw (2) is tight when gets into nut (5), it may need some strengths or force to screw in.

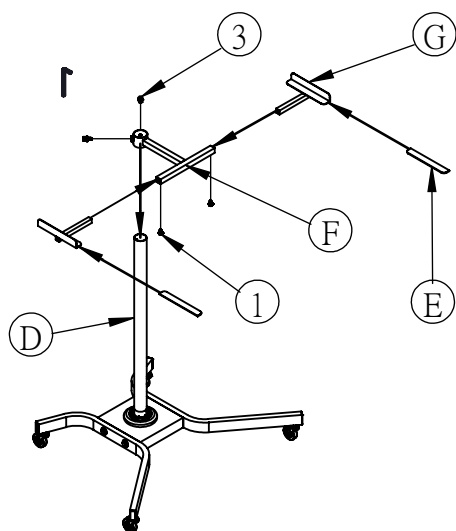
Suggestion: Use two wrenches, one hold the nut, one turn the screw forward.

STEP 2 PILLAR INSTALLATION



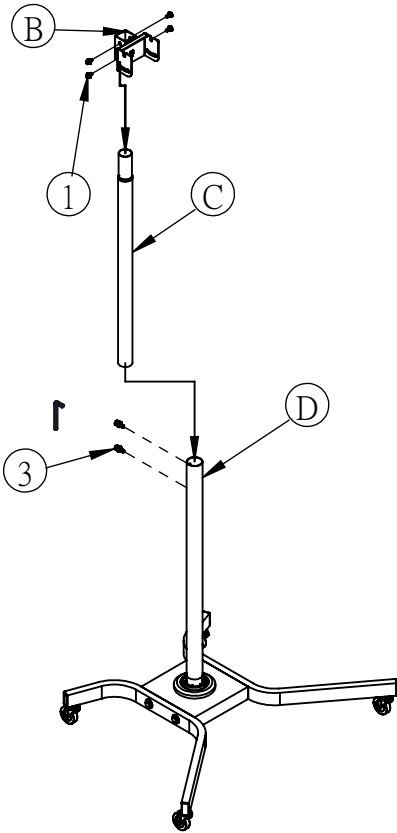
Insert the tube (D) on the pedestal (I), then firmly fix it by screw (2), spring washer (4) and washer (7) from the bottom of pedestal.  
 Clip the plastic cover (H) on the tube (D)

STEP 3 SUPPORT FRAME INSTALLATION



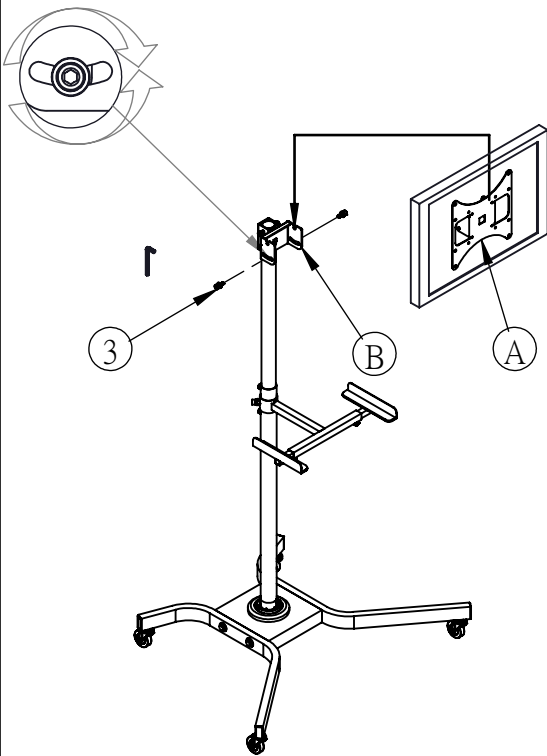
Insert support frame (F) on to tube (D).  
 Insert the movable frames (G) into each side of support frame (F).  
 Put two Velcro (E) on the upper surface of the two frames (G).

STEP 4



Insert the extension tube (C) into the tube (D) and adjust the height of the tube by screw (3). Fix the joint (B) on to the top of tube (C) with screw (1).

STEP 5 TV MOUNTING PLATE INSTALLATION.



Hang the TV mounting plate (A) onto the joint (C), fixed and adjust the tilting angles with screw (3).