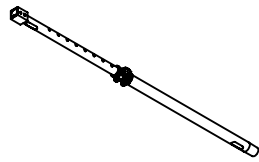


DECK(×1)

(A)



TUBE(×1)

(B)



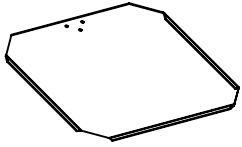
PLATFORM  
HOLDER(×1)

(C)



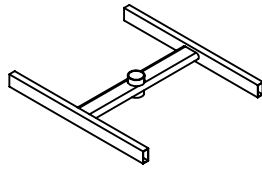
FIXED PLATE(×1)

(D)



PLATFORM(×1)

(E)



BASE(×1)

(F)



WHEEL(×4)

(G)



SAFTY BELT(×1)

(H)



WERNCH  
NO.12(×1)

(I)



SCREW  
5/16"-18UNC\*  
L2 1/2"(×1)

(1)



SCREW BH  
5/16"-18UNC\*  
L2 1/4"(×1)

(2)



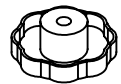
SCREW M5\*P0.8  
\*L15mm(×1)

(3)



SCREW M6\*  
P1.0\*L25+  
2 WASHERS(×4)

(4)



ADJUSTMENT  
KNOB(×1)

(5)



NYLON NUT  
M5(×3)

(6)



NYLON NUT  
5/16"(×1)

(7)



WASHER  
5/16"(×4)

(8)



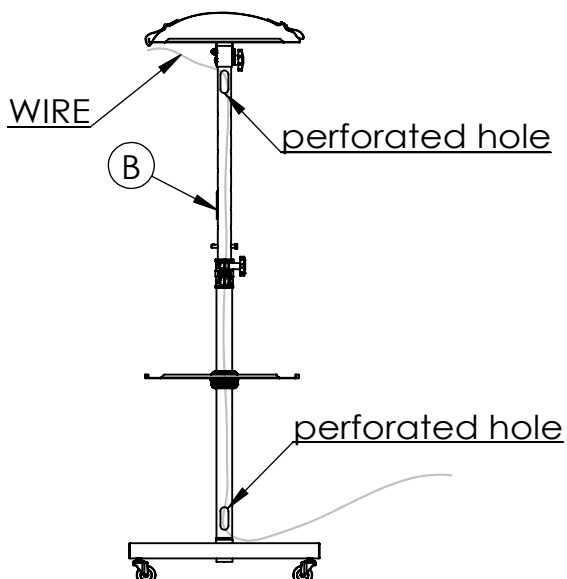
SPRING WASHER  
5/16"(×1)

(9)



ALLEN WRENCH  
NO.4(×1)

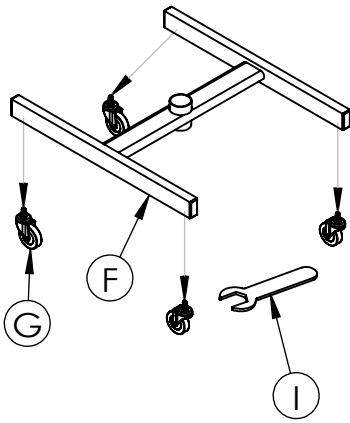
(10)



To route your cable from the perforated hole on tube (B).

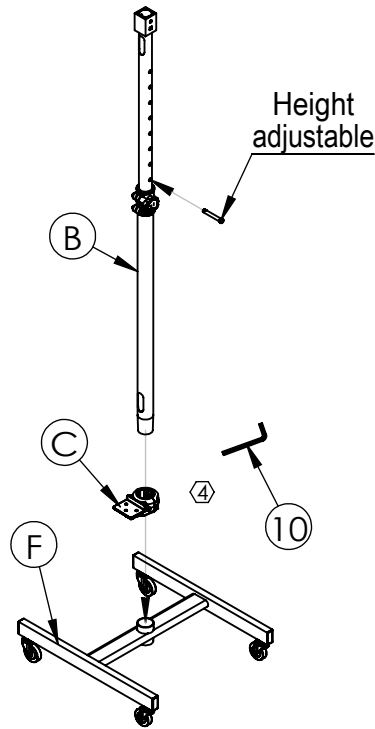
# Assembly steps

## STEP 1



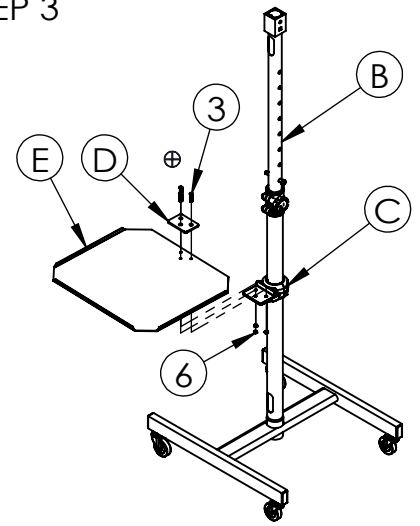
Insert the Wheels (G) on the base (F) legs as shown in the step 1.

## STEP 2



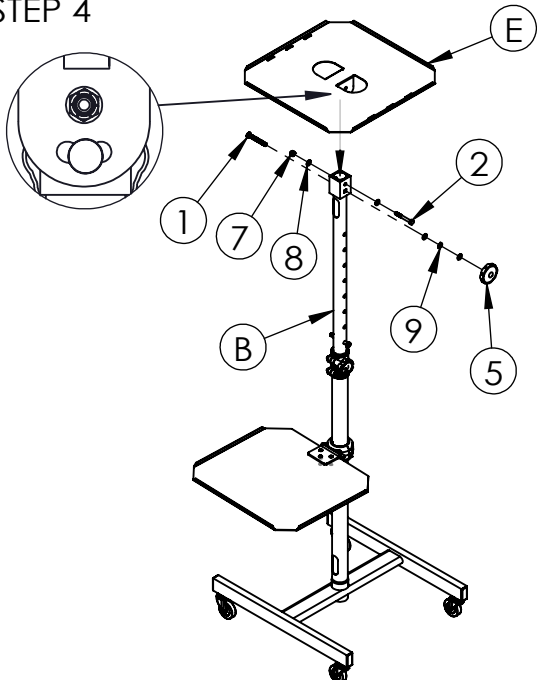
Attach Tube (B) to the Base (F). Platform holder (C) go through the Tube (B).

## STEP 3



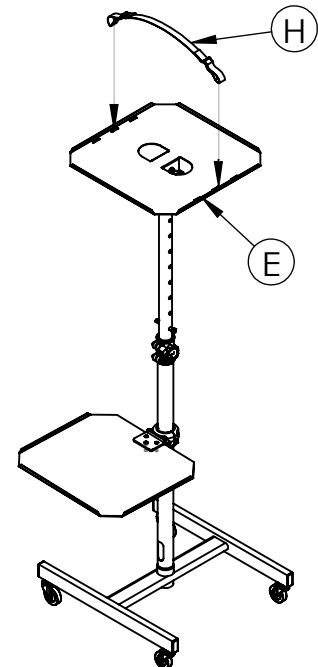
Put the Metal shelf (E) on Platform holder (C) and fix by Fixed plate (D).

## STEP 4



Install the Deck(E) on the top of Tube (B). Adjust tilting angles by Adjustment knob (5).

## STEP 5



Putting Safety belt (H) on the Deck (E).