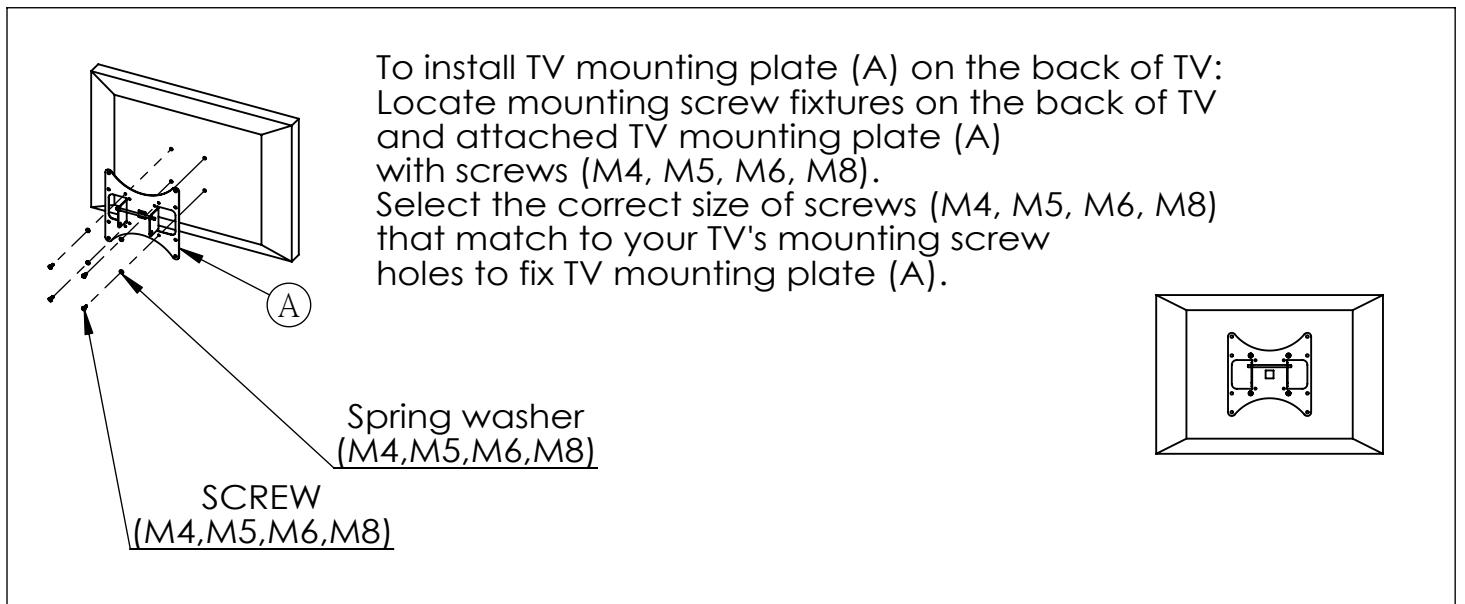
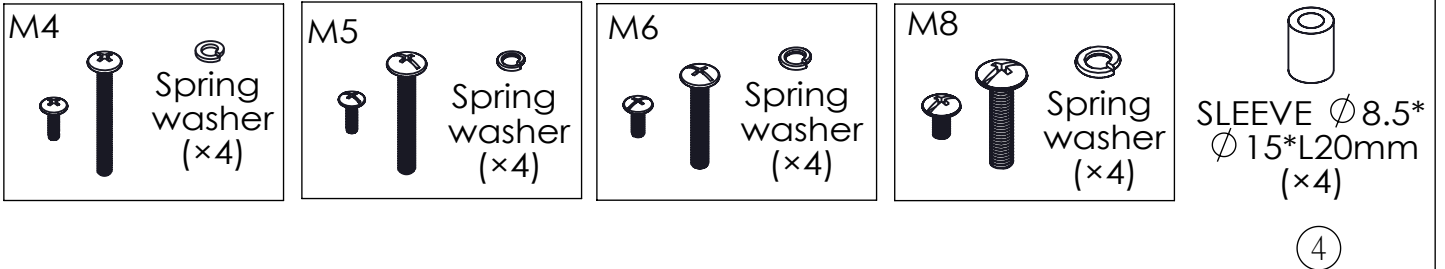
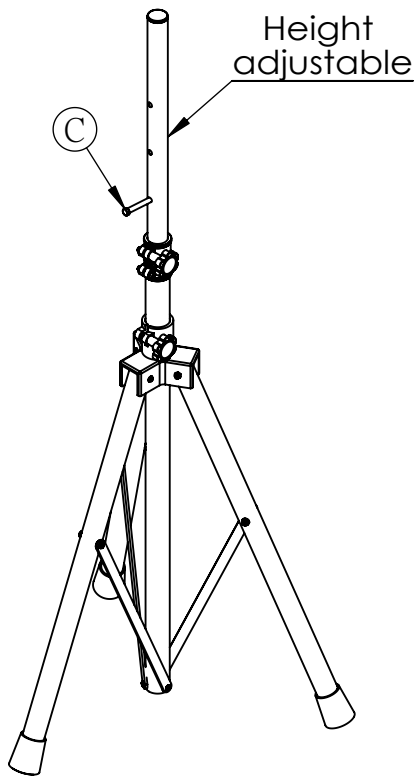


FOR TV

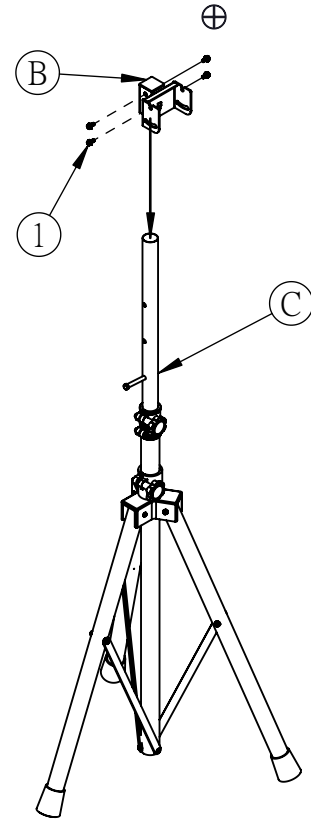


STEP 1



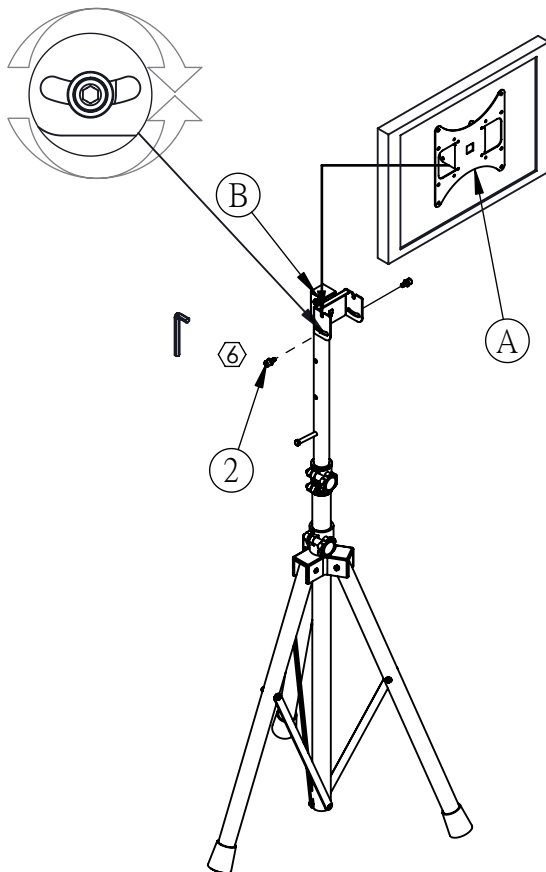
The height of the tube can be adjusted with the knob.

STEP 2



Insert the joint (B) on to the Tripod (C). Put the Flang bolt $\frac{1}{4}$ "*L1/2" (1) on joint (B).

STEP 3



Using screw (2) to fix the TV Mounting plate (A) on joint (B).