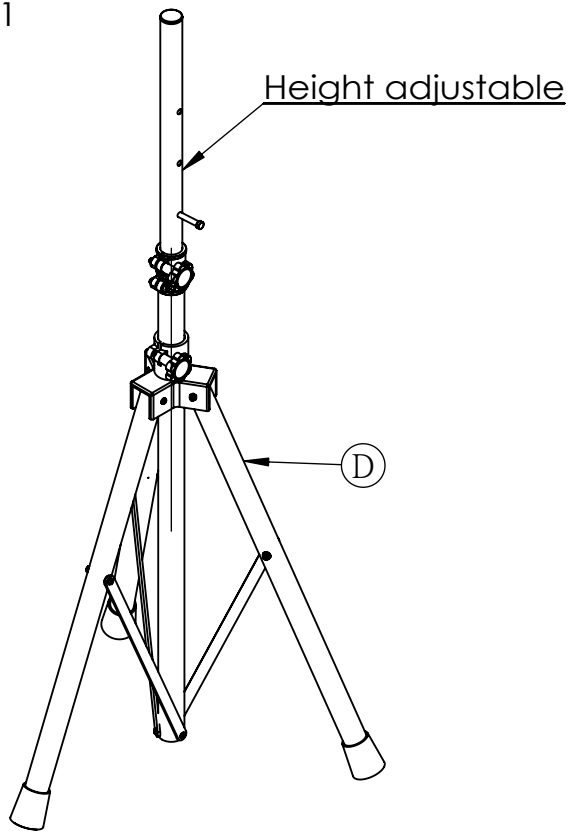
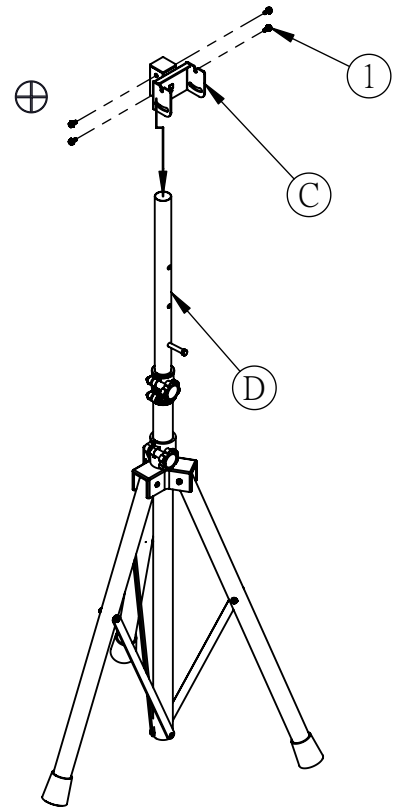


STEP 1



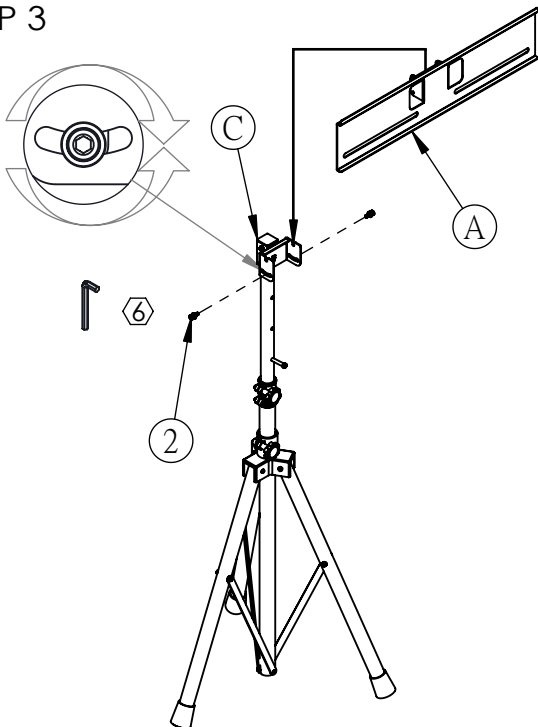
The height of the tube can be adjusted with the knob.

STEP 2



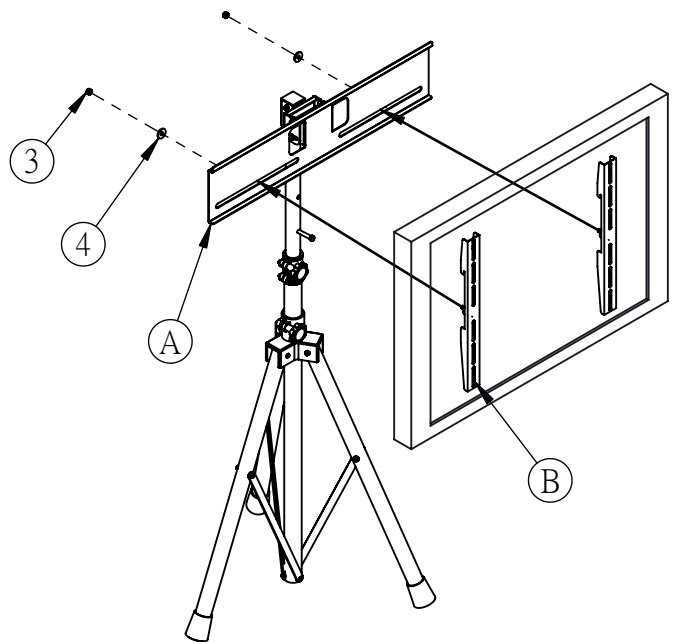
Insert the joint (C) on to the Tripod (D). Put the Flange bolt $\frac{1}{4}$ "*L1/2" (1) on joint (C).

STEP 3



Using screw (2) to fix the TV Mounting plate (A) on joint (C).

STEP 4



Make sure to fix Mounting arm (B) on to the TV Mounting plate (A) by Nylon nut (3) and washer (4).