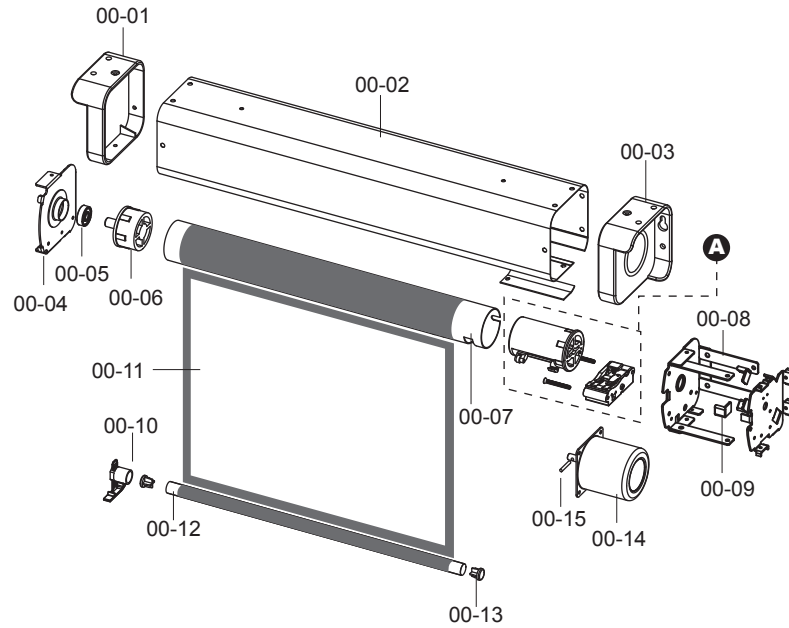
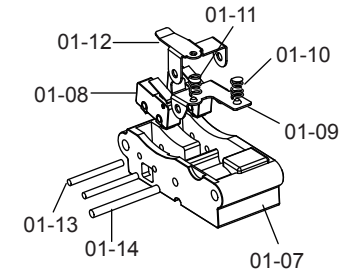
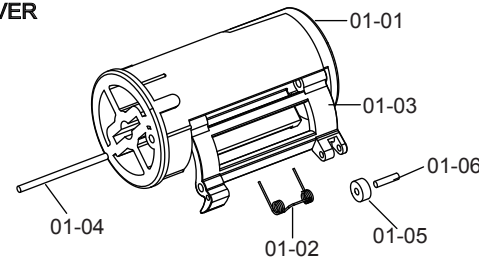
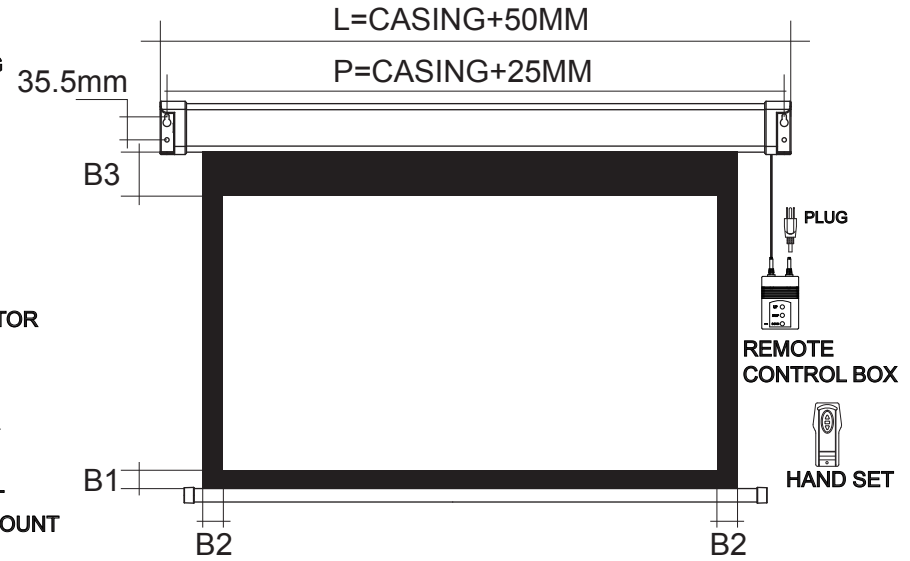


# MOTORIZED PROJECTION SCREEN



- 00-01 LEFT END CAP
- 00-02 SCREEN HOUSING
- 00-03 RIGHT END CAP
- 00-04 BEARING MOUNTING
- 00-05 BEARING
- 00-06 ROLLER END CAP
- 00-07 ROLLER
- 00-08 MOTOR HOLDER
- 00-09 ABSORBER COVER
- 00-10 BLOCK
- 00-11 SCREEN FABRIC
- 00-12 PULL BAR
- 00-13 RUBBER END CAP
- 00-14 SYNCHRONOUS MOTOR
- 00-15 LATCH
- 01-01 ROLLER ROTOR
- 01-02 SPRING
- 01-03 OSCILLATING LEVER
- 01-04 SHAFT
- 01-05 IDLER WHEEL
- 01-06 IDLER WHEEL SHAFT
- 01-07 RIGHT ORIENTING MOUNT
- 01-08 LIMIT SWITCH
- 01-09 UPPER-FRAME
- 01-10 SPRING 1
- 01-11 SPRING 2
- 01-12 SHIFTER LEVER
- 01-13 FIXING SLAT
- 01-14 FIXING SLAT



Customer No.	Screen Size/m m	Viewing Size/m m	Fabric	Form at	Black Borders/m m			Casing/m m	Packing Size/m m			G.W KG	N.W KG	"H" Packing
					B1	B2	B3		Length	Width	High			
EL119RY*	2210 × 2210	2130 × 2130	mw	1:1	40	40	40	2420	2720	148	153	17	14	Yes
EL136RY*	2520 × 2520	2440 × 2440	mw		40	40	40	2730	3030	148	153	20	17	Yes
ER100RY*	1730 × 2130	1530 × 2030	mw	4: 3	50	50	150	2340	2640	148	153	16	13	Yes
ER120RY*	2030 × 2540	1830 × 2440	mw		50	50	150	2750	3050	148	153	18	15	Yes
EH92RY*	1340 × 2130	1140 × 2030	mw	16:9	50	50	150	2340	2640	148	153	13	10	Yes
EH100RY*	1440 × 2310	1240 × 2210	mw		50	50	150	2520	2820	148	153	17	15	Yes
EH120RY*	1700 × 2770	1500 × 2670	mw		50	50	150	2980	3280	148	153	18	16	Yes