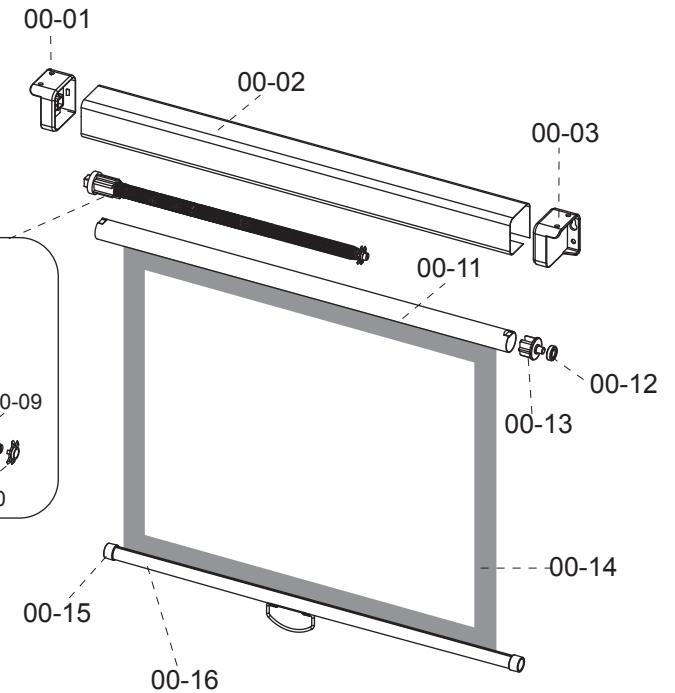
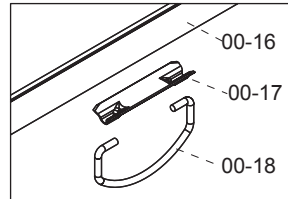
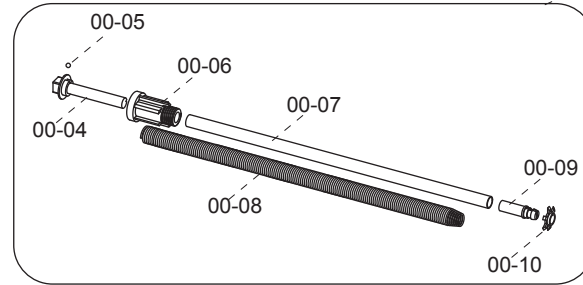
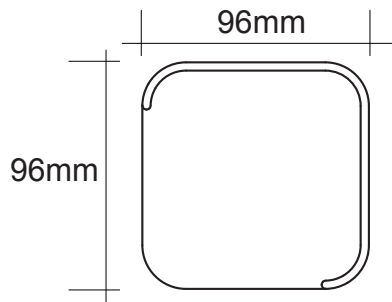
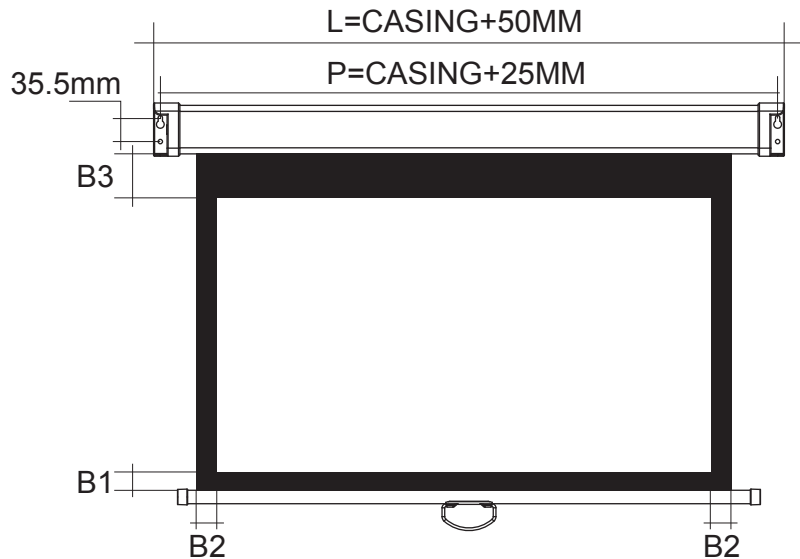


MANUAL WALL SCREEN



- 00-01 LEFT END CAP
- 00-02 CASE
- 00-03 RIGHT END CAP
- 00-04 LOCK HEAD
- 00-05 STEEL BALL
- 00-06 LOCK HEAD COVER
- 00-07 TUBE
- 00-08 SPRING
- 00-09 STOP BAR
- 00-10 COVER
- 00-11 ROLLER
- 00-12 BEARING
- 00-13 ROTATING COVER
- 00-14 FABRIC
- 00-15 RUBBER END CAP
- 00-16 PULL BAR
- 00-17 LOOP COVER
- 11-18 LOOP

Customer No.	Screen Size/m m	Viewing Size/m m	Fabric	Form at	Black Borders/m m			Casing/m m	Packing Size/m m			G.W KG	N.W KG	"H" Packing
					B1	B2	B3		Length	Width	High			
M136MY*	2520 × 2520	2440 × 2440	mw	1:1	40	40	40	2590	2720	138	143	15	12	No
MR120MY*	1960 × 2520	1830 × 2440	mw	4: 3	40	40	90	2590	2720	138	143	11	9	No
MR150MY*	2490 × 3150	2290 × 3050	mw		50	50	150	3220	3350	138	143	18	15	No
MH120MY*	1630 × 2720	1500 × 2640	mw	16:9	40	40	90	2790	2920	138	143	9	7	No
MH150MY*	2040 × 3380	1910 × 3300	mw		40	40	90	3450	3580	138	143	18	15	No